

17309

21718

4 Hours / 100 Marks

Seat No.

--	--	--	--	--	--	--	--

- Instructions* –
- (1) All Questions are *Compulsory*.
 - (2) Answer each next main Question on a new page.
 - (3) Illustrate your answers with neat sketches wherever necessary.
 - (4) Figures to the right indicate full marks.
 - (5) Assume suitable data, if necessary.
 - (6) Use of Non-programmable Electronic Pocket Calculator is permissible.
 - (7) Mobile Phone, Pager and any other Electronic Communication devices are not permissible in Examination Hall.

Marks

- 1. a) Attempt any THREE of the following: **12****
- (i) Draw graphical symbols for,
 - 1) Stone masonry
 - 2) Brick masonry
 - 3) Single shutter double swing door
 - 4) Glass
 - (ii) Draw neat sketches for following lines:
 - 1) Centre line
 - 2) Hidden line
 - 3) Construction line
 - 4) Section line

P.T.O.

- (iii) Define aspect and prospect and give one example for each.
- (iv) Give the values of minimum dimensions for,
- 1) Habitable room
 - 2) Kitchen
 - 3) WC
 - 4) Head room
- b) Draw to suitable scale line plan of bank building located at district place. 8

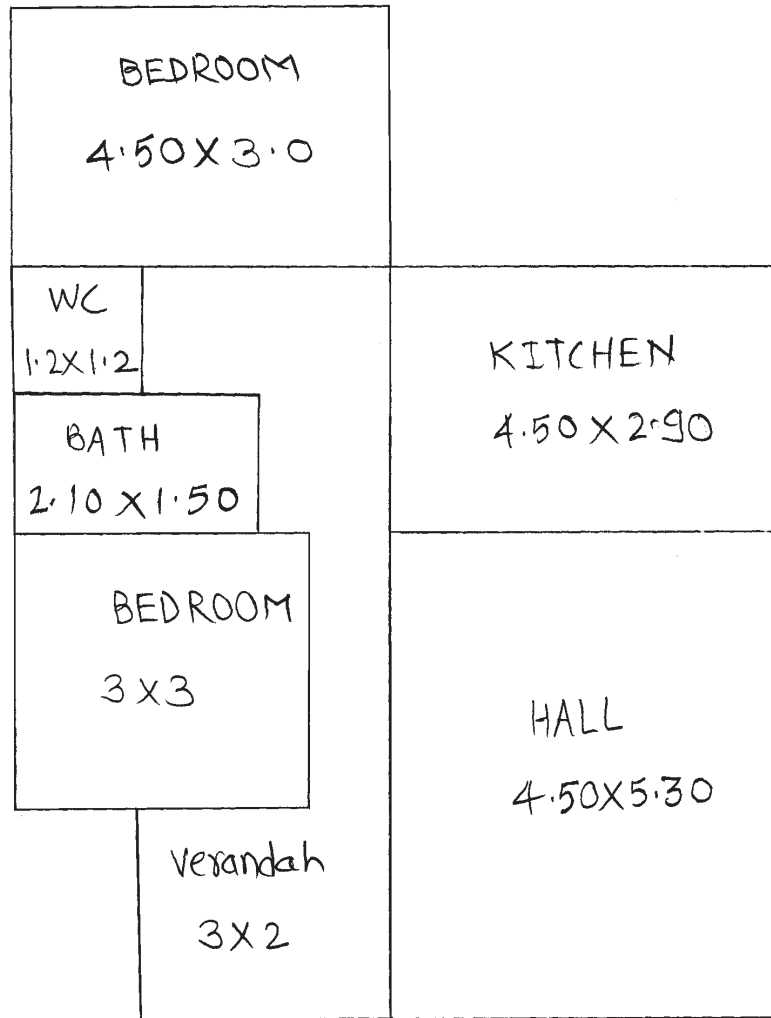
2. Attempt the following:

Figure no. 1 shows a line plan of a residential building. Draw to scale of 1:50 the following views, show all dimensions and label the parts. (Refer Page No. 3)

- a) Developed plan 12
- b) Front elevation 08
- c) Section AB 08

Use following data:

- 1) Depth of foundation 1.2 m below GL.
- 2) Plinth height 0.750 m
- 3) Ceiling height 2.85 m
- 4) RCC slab 0.12 m thick
- 5) Wall thickness 0.30 m and for toilets 0.20 m thick
- 6) Chajja 0.45 m projection
- 7) Assume suitable data if required.



Not to scale

Fig. No. 1

3. Attempt any THREE of the following: 24

- Prepare site plan for Figure No. 1 having plot size $16\text{ m} \times 18.5\text{ m}$. Road fronting 16 m having 9 m width and north along 18.5 m size.
- Prepare area statement with key area block diagrams with FSI calculations.
- Suggest various units required for hostel building having 100 beds.
- Draw detailed plan and section of RCC column and column footing with following data:
 - Size of footing - $1200 \times 1200\text{ mm}$
 - Size of column - $300 \times 300\text{ mm}$

P.T.O.

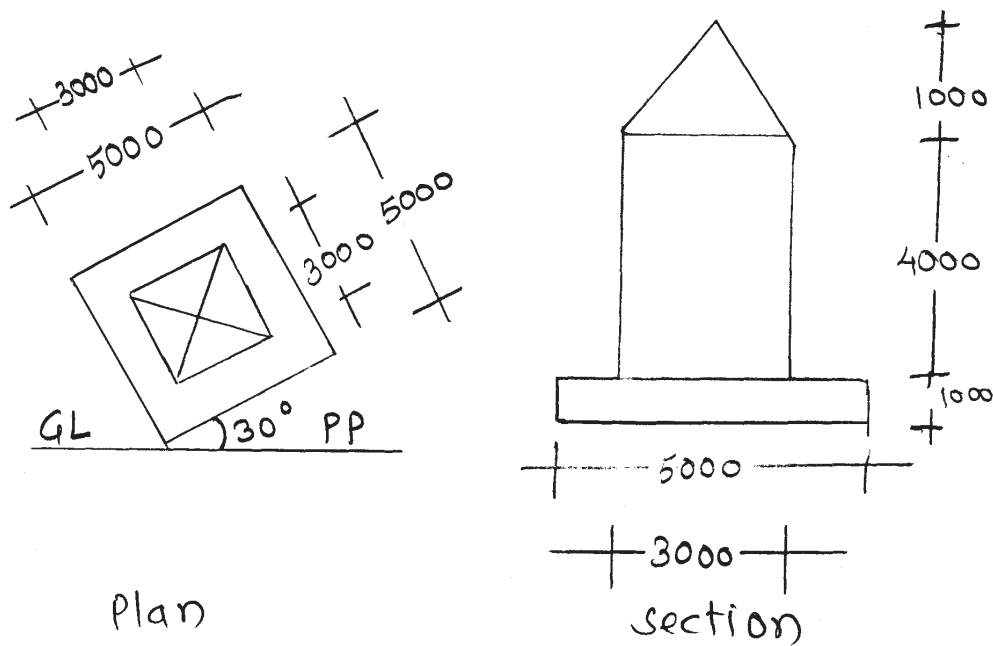
4. Attempt any TWO of the following:

16

- Explain procedure of getting approval for building construction from competent authority.
- Explain importance of following principles of planning with example :
 - Roominess
 - Privacy
- Draw foundation plan for Figure No. 1

5. Figure No. 2 shows a plan and elevation of small structure. Assume eye level at 1.80 m above G.L., draw to suitable scale two point perspective view and retain all construction lines.

12

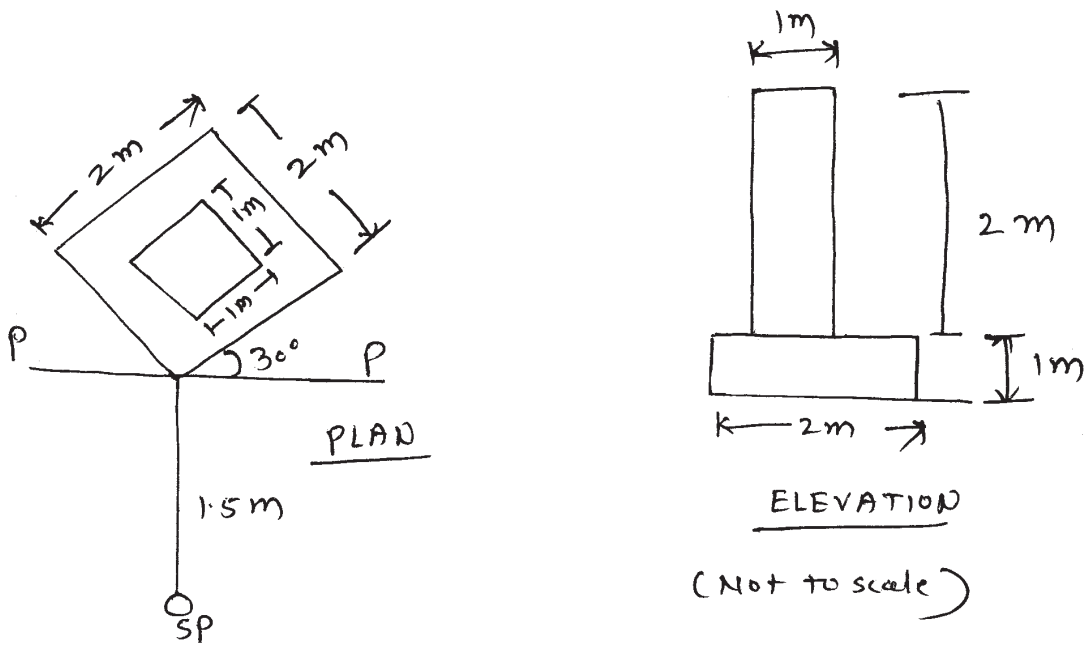


Not to scale

Fig. No. 2

OR

Draw perspective view of given object from Figure No. 3.

Fig. No. 3
