

**WINTER – 15 EXAMINATION**

Subject Code:17305 Model Answer

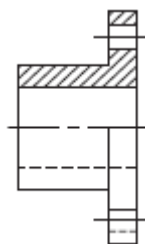
**Important Instructions to examiners:**

- 1) The answers should be examined by key words and not as word-to-word as given in the model answer scheme.
- 2) The model answer and the answer written by candidate may vary but the examiner may try to assess the understanding level of the candidate.
- 3) The language errors such as grammatical, spelling errors should not be given more Importance (Not applicable for subject English and Communication Skills).
- 4) While assessing figures, examiner may give credit for principal components indicated in the figure. The figures drawn by candidate and model answer may vary. The examiner may give credit for any equivalent figure drawn.
- 5) Credits may be given step wise for numerical problems. In some cases, the assumed constant values may vary and there may be some difference in the candidate's answers and model answer.
- 6) In case of some questions credit may be given by judgement on part of examiner of relevant answer based on candidate's understanding.
- 7) For programming language papers, credit may be given to any other program based on equivalent concept.

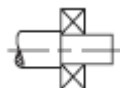
Que 1 A Attempt any six

02 marks each

a) Half section



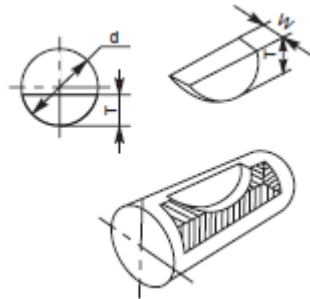
b) Ball bearing



WINTER – 15 EXAMINATION

Subject Code:17305 Model Answer

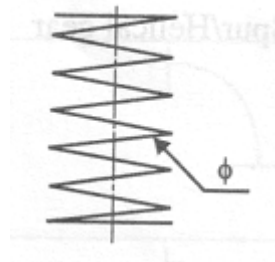
c) Woodruff key



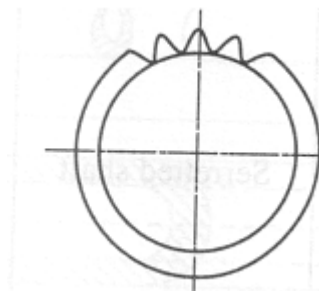
d) Spur gear



e) Helical compression spring with flat ends



f) Sprocket wheel



g) internal screw threads



WINTER – 15 EXAMINATION

Subject Code:17305 Model Answer

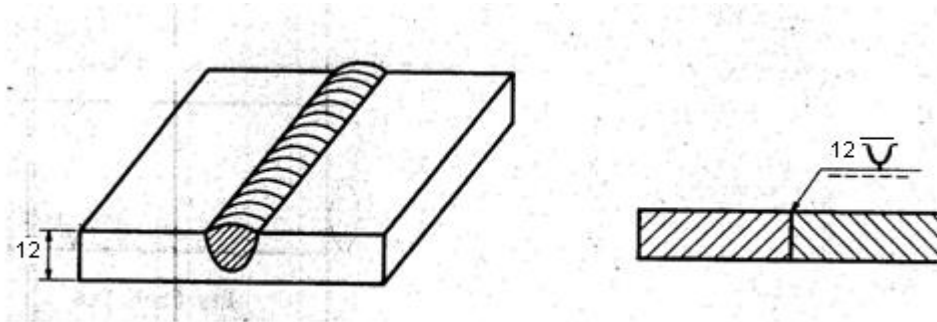
h) Reducing socket



Que 1 B

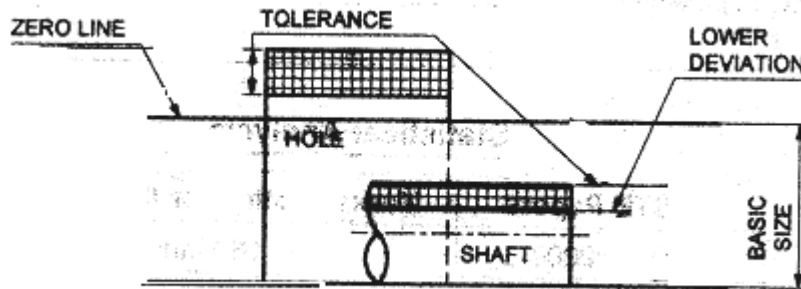
a)

04 marks



b)

Each table 01 mark



c) i)

02 marks

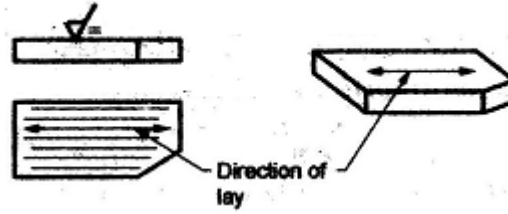


ii)

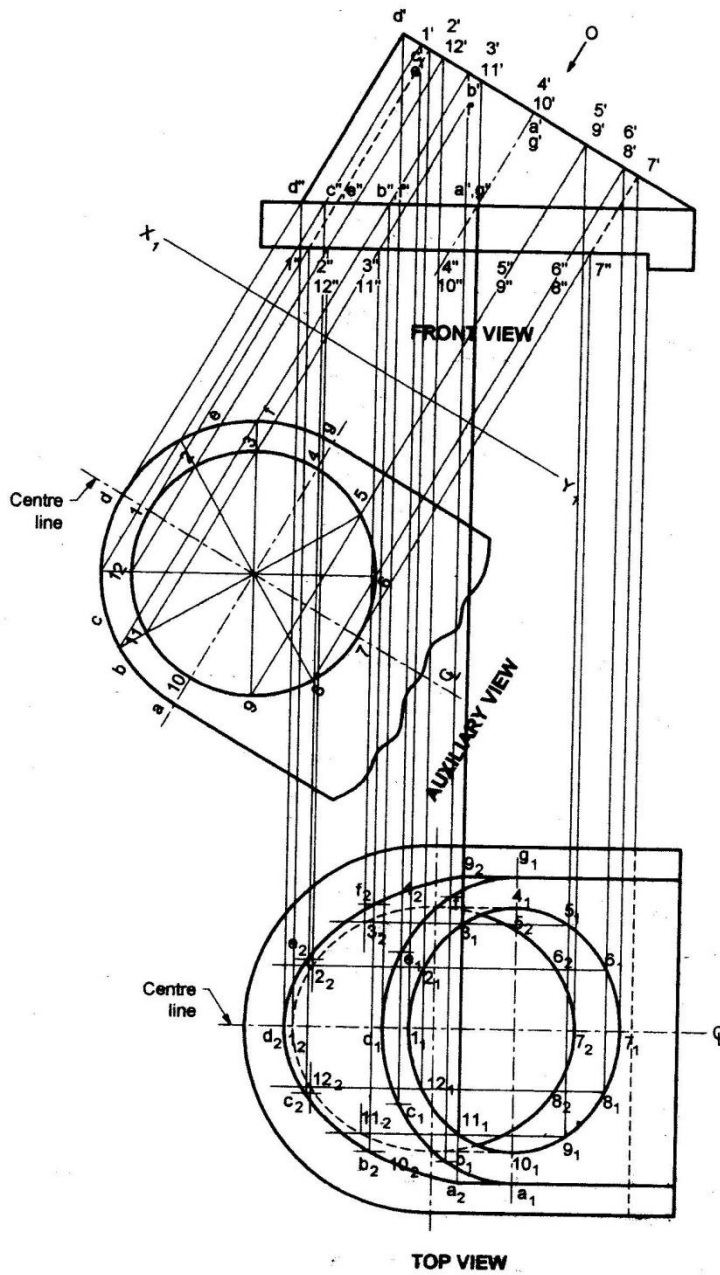
02 marks

WINTER – 15 EXAMINATION

Subject Code:17305 Model Answer



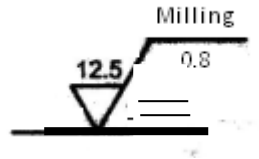
Que 2 A) COMPLETE TOP VIEW 08 MARKS, F.V. 02 MARKS, AUXILLARY VIEW 02 MARKS



WINTER – 15 EXAMINATION

Subject Code:17305 Model Answer

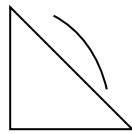
Que 2 B a) Each parameter 01 mark



Que 2 B b)

i) Convex fillet weld

02 marks



ii) flat doubleV- butt weld

02 marks



Que 2 B c) Each symbol 01 mark

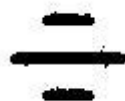
i) Concentricity



ii) Angularity



iii) Symmetry



iv) Flatness

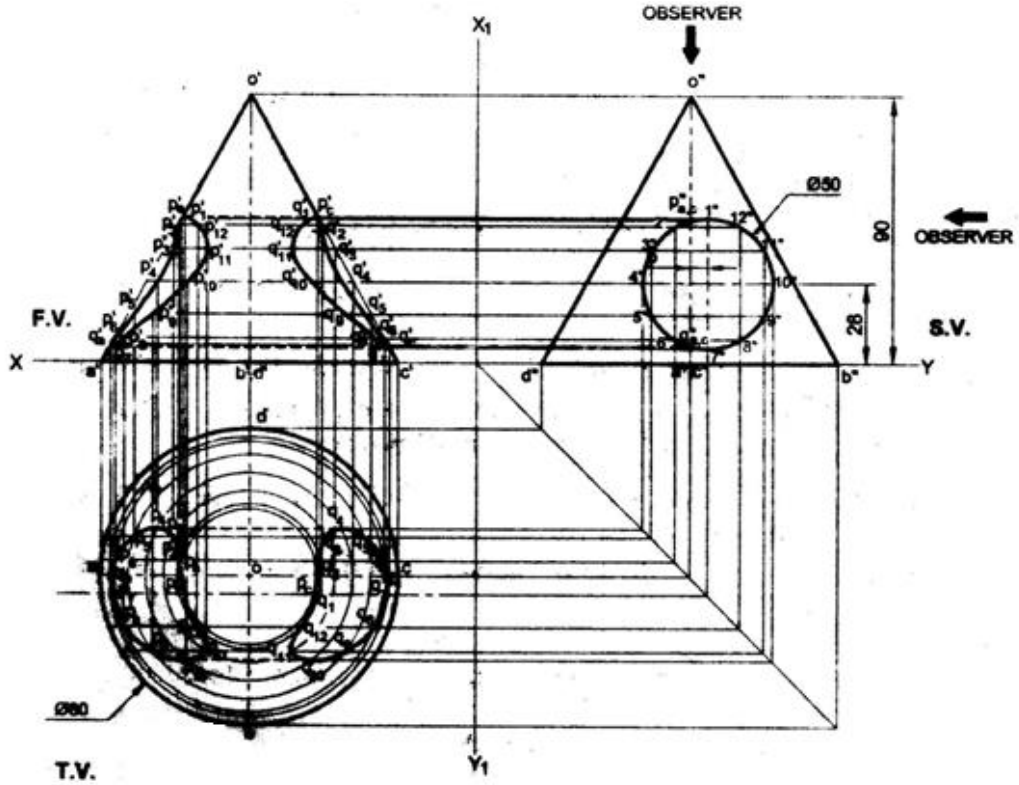


WINTER – 15 EXAMINATION

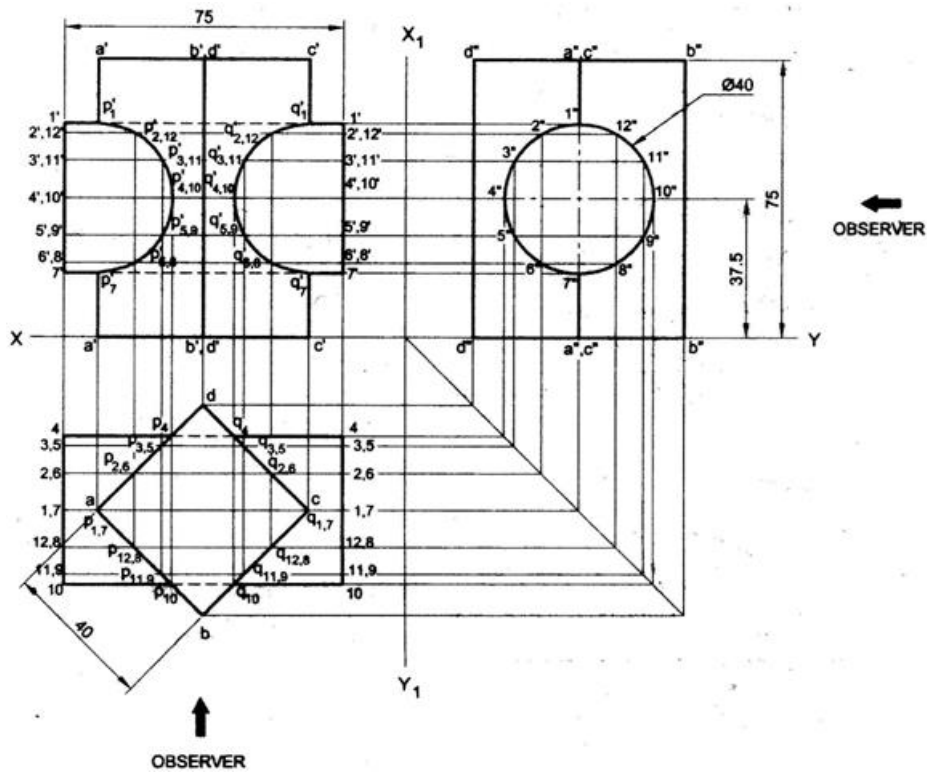
Subject Code:17305 Model Answer

Que 3 a) F.V. 04 MARKS, T.V. 04 MARKS S.V. 02 MARKS assuming appropriate offset value

- **Note:-Solution without offset may also be considered**



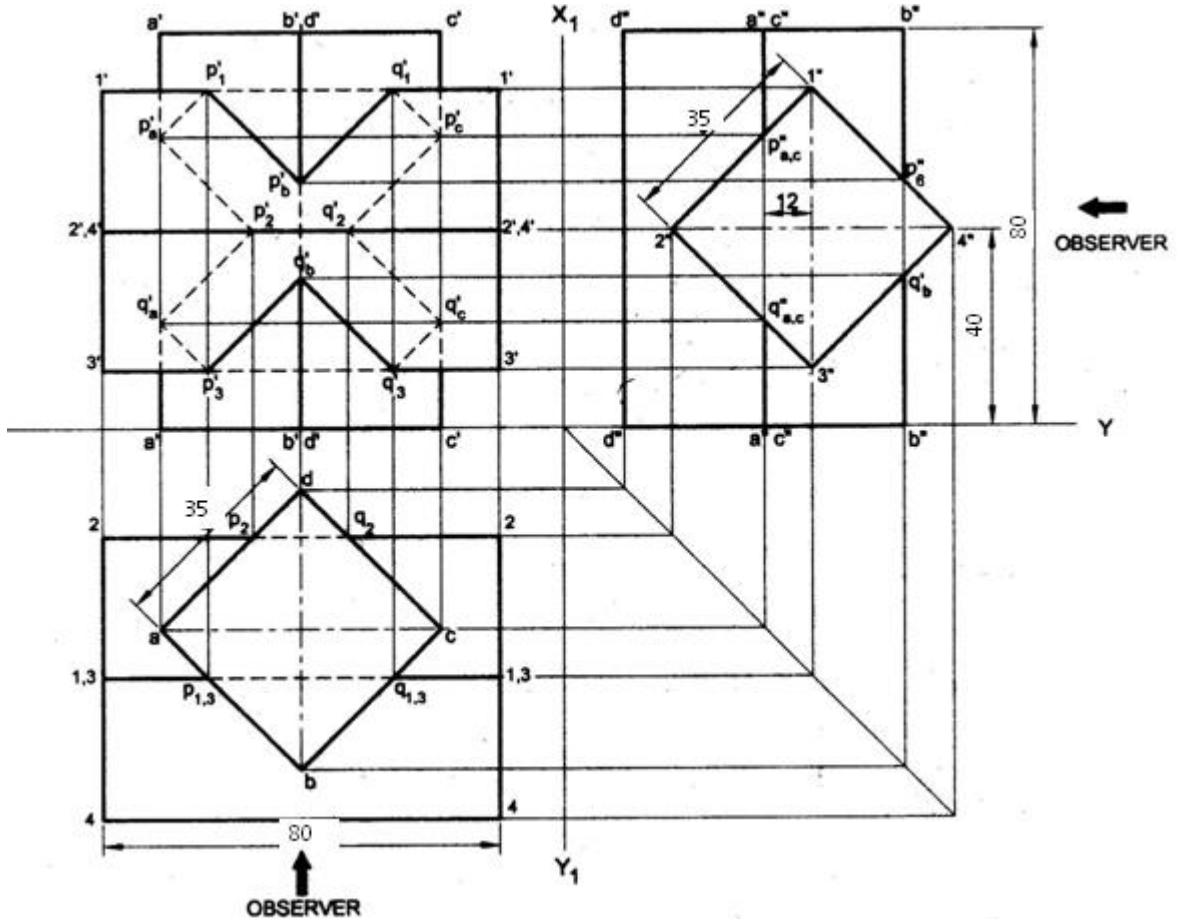
Que 3 b) F.V. 04 MARKS, T.V. 04 MARKS S.V. 02 MARKS



WINTER – 15 EXAMINATION

Subject Code:17305 Model Answer

Que 3 c) F.V. 04 MARKS, T.V. 04 MARKS S.V. 02 MARKS





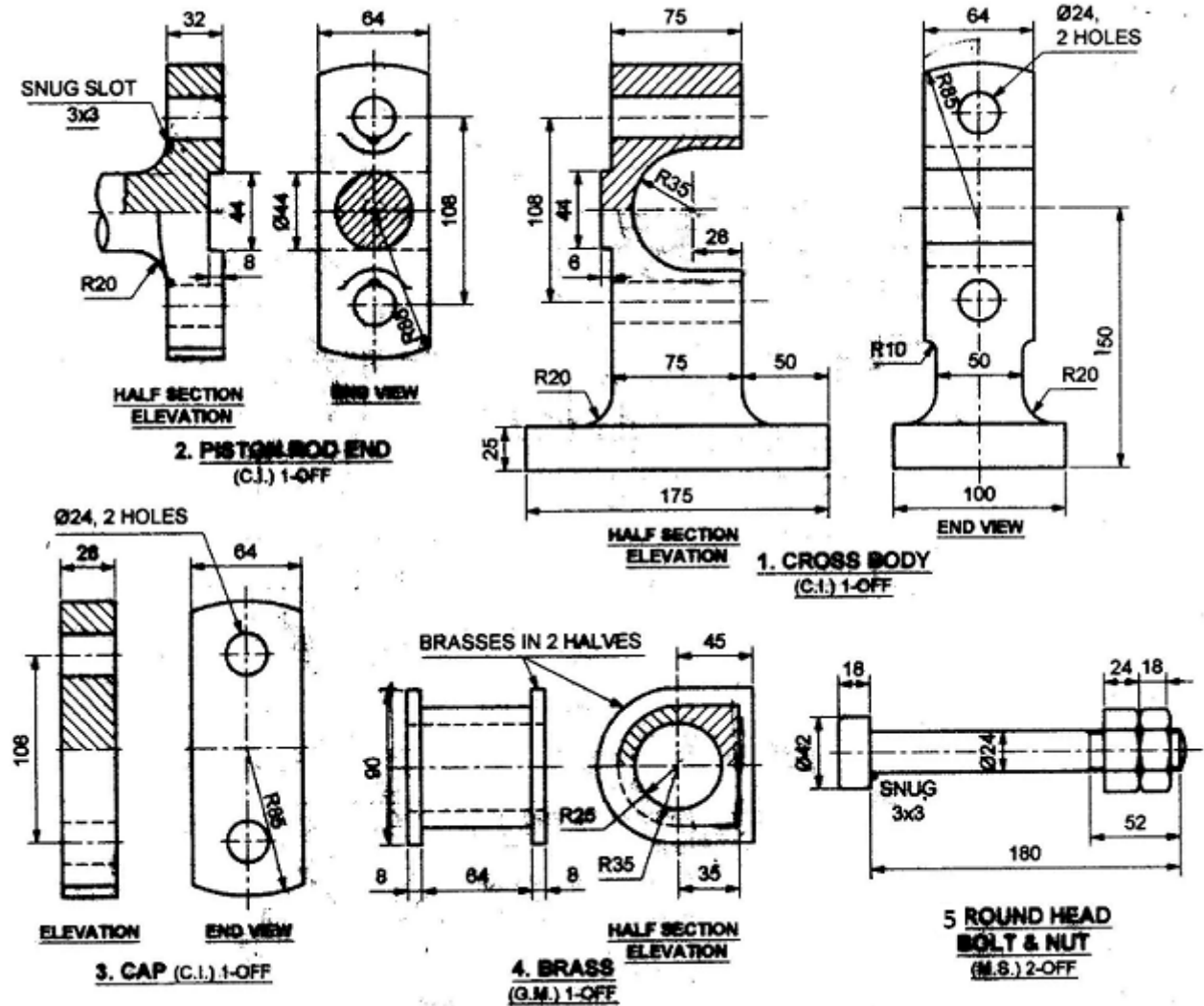




WINTER – 15 EXAMINATION

Subject Code:17305 Model Answer

Q 5 (a) (1) 06 Marks (2) 06 Marks (3) 03 Marks (4) 03 Marks (5) 02 Marks



WINTER – 15 EXAMINATION

Subject Code:17305 Model Answer

Q 5 (b) (1) 05 Marks (2) 05 Marks (3) 02 Marks (4) 02 Marks (5) 02 Marks

(6) 02 Marks(7) 02 Marks

DETAILS OF FAST AND LOOSE PULLEY

