



SUMMER – 15 EXAMINATION

Subject Code: 17205 (EDG)

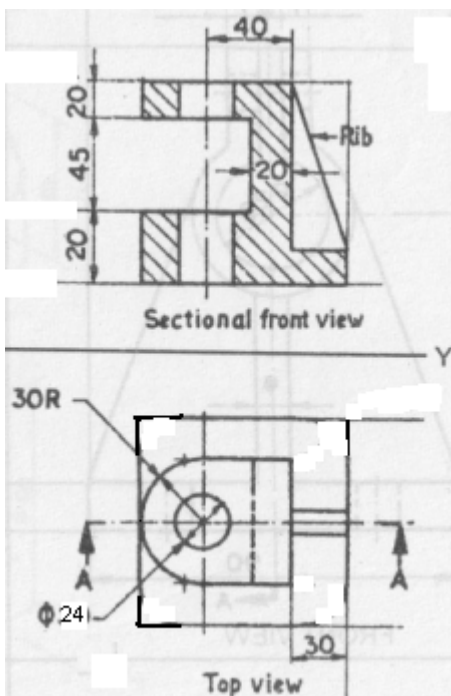
Model Answer

Important Instructions to examiners:

- 1) The answers should be examined by key words and not as word-to-word as given in the model answer scheme.
- 2) The model answer and the answer written by candidate may vary but the examiner may try to assess the understanding level of the candidate.
- 3) The language errors such as grammatical, spelling errors should not be given more importance (Not applicable for subject English and Communication Skills).
- 4) While assessing figures, examiner may give credit for principal components indicated in the figure. The figures drawn by candidate and model answer may vary. The examiner may give credit for any equivalent figure drawn.
- 5) Credits may be given step wise for numerical problems. In some cases, the assumed constant values may vary and there may be some difference in the candidate's answers and model answer.
- 6) In case of some questions credit may be given by judgment on part of examiner of relevant answer based on candidate's understanding.
- 7) For programming language papers, credit may be given to any other program based on equivalent concept.

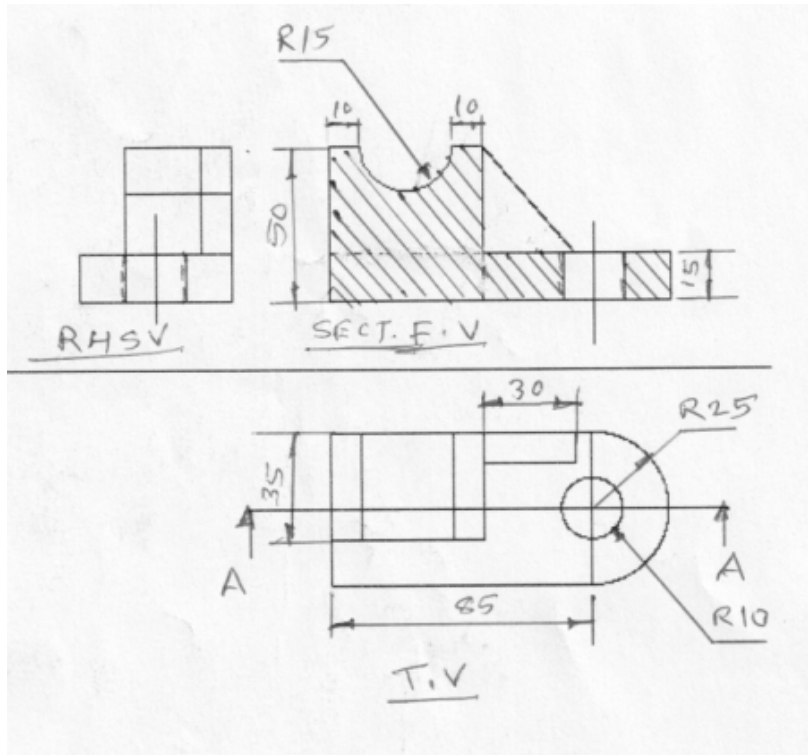
Q. 1 a)

Sectional Front view 05 marks, Top view 05 marks



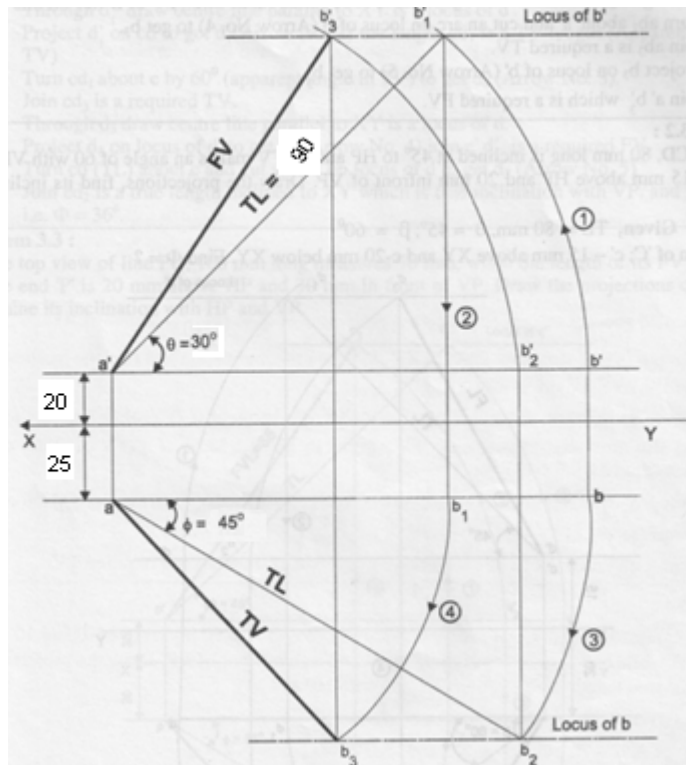
Q.1 b)

Sectional Front view 04 marks, Top view 02 marks, Right hand side view 04 marks
DOTTED LINE FOR SEMICIRCULAR SLOT IN RHSV

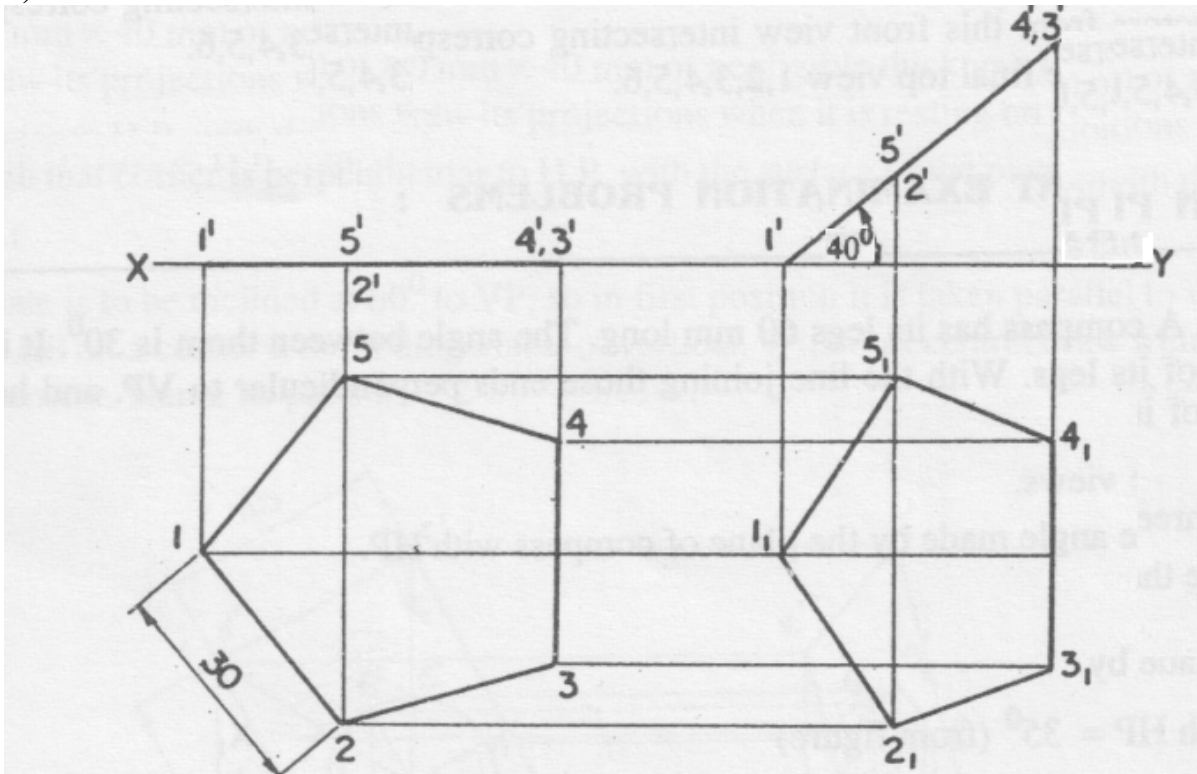


Q.2 a)

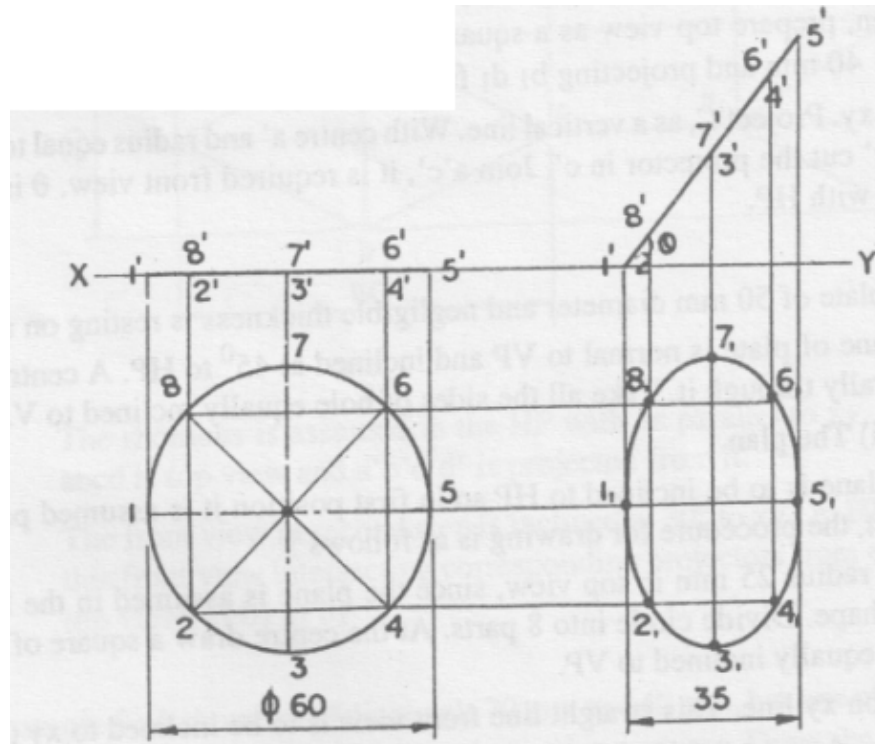
Correct solution 08 marks



Q.2 b) Initial Position 02 marks Final Position 06marks



Q.2 c) Initial Position 02 marks Final Position 06marks

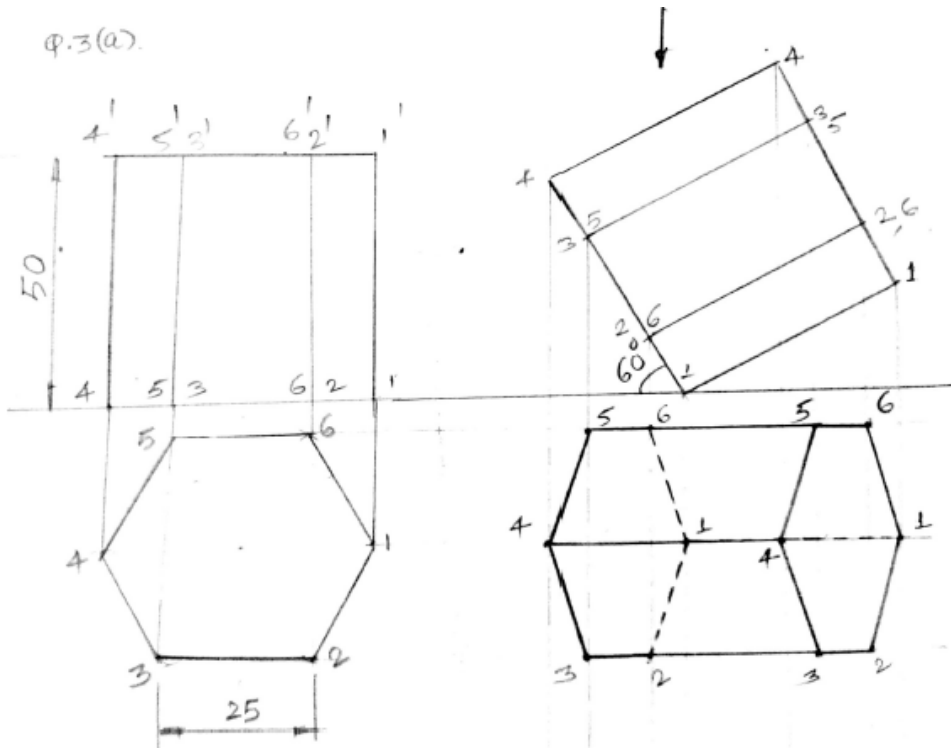


Angle of Inclination (θ) = 52°



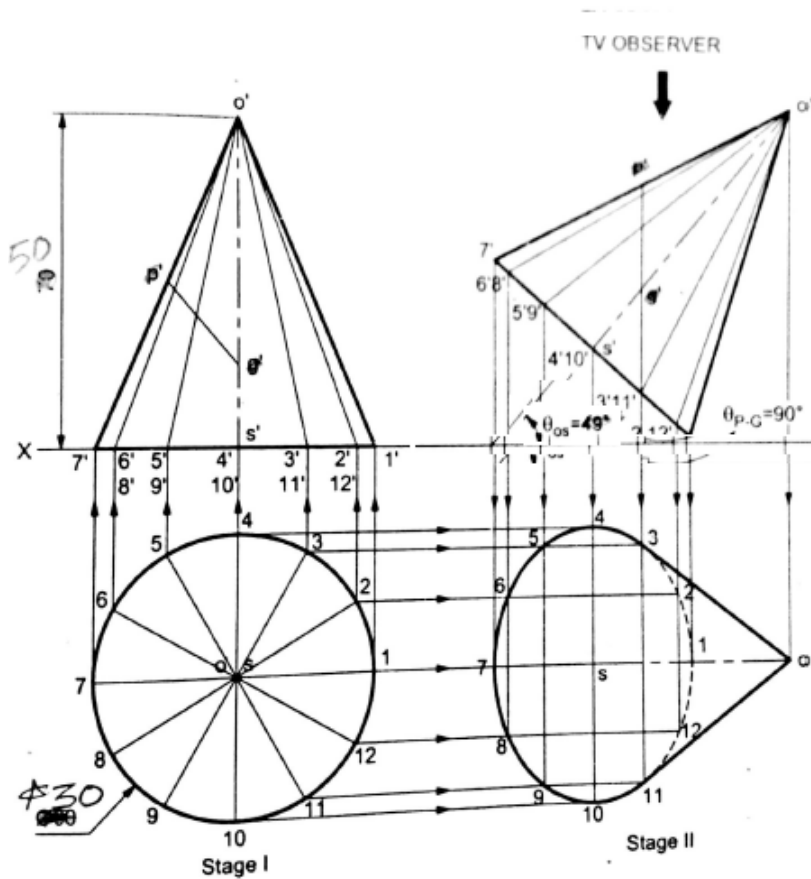
Q.3a)

Initial Position 02 marks Final Position 06marks



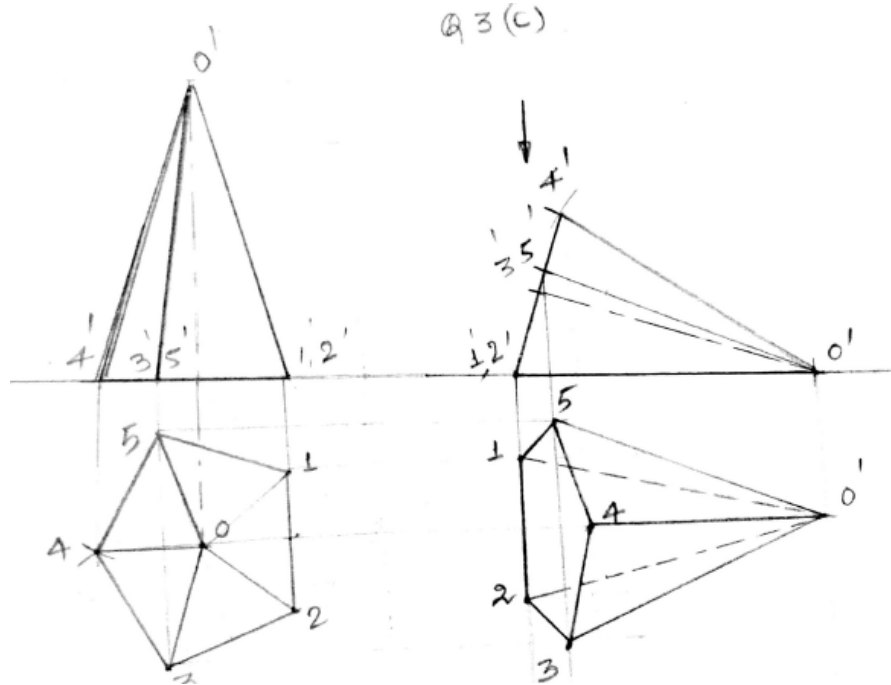
Q.3 b)

Initial Position 02 marks Final Position 06marks

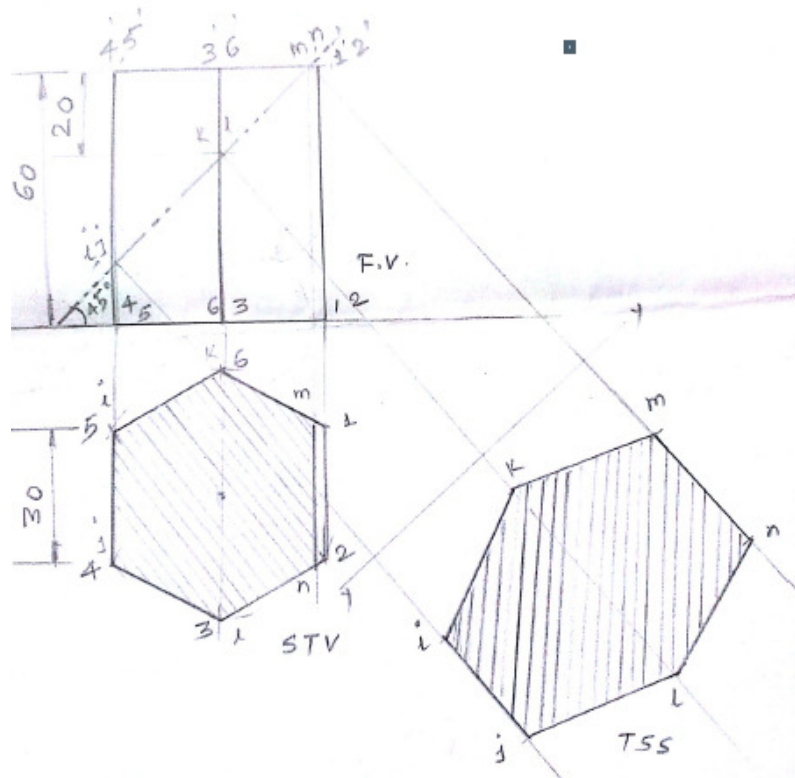


Q.3 c)

Initial Position 02 marks Final Position 06marks

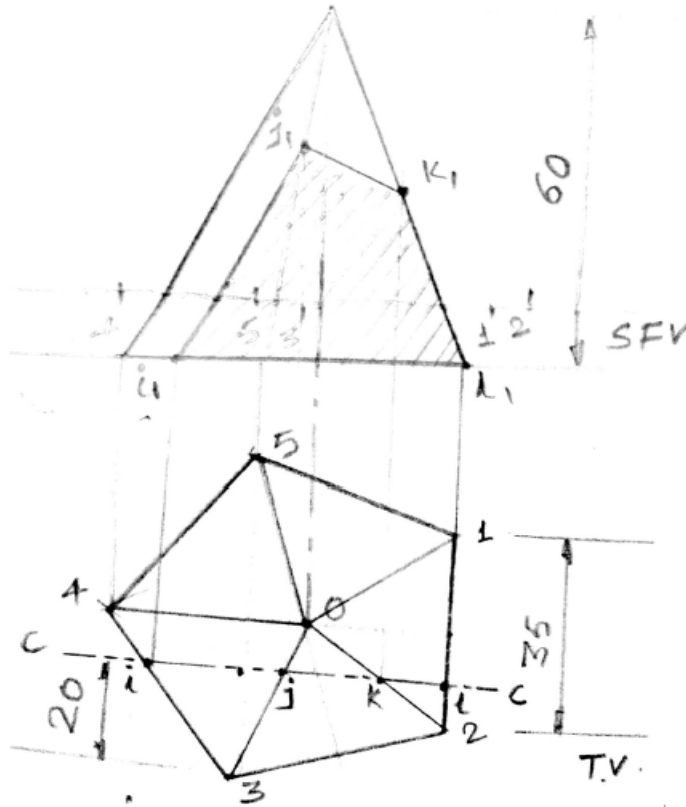


Q.4 a) Sectional Top view 02 marks, Front view 02 marks, True shape of section 04 marks

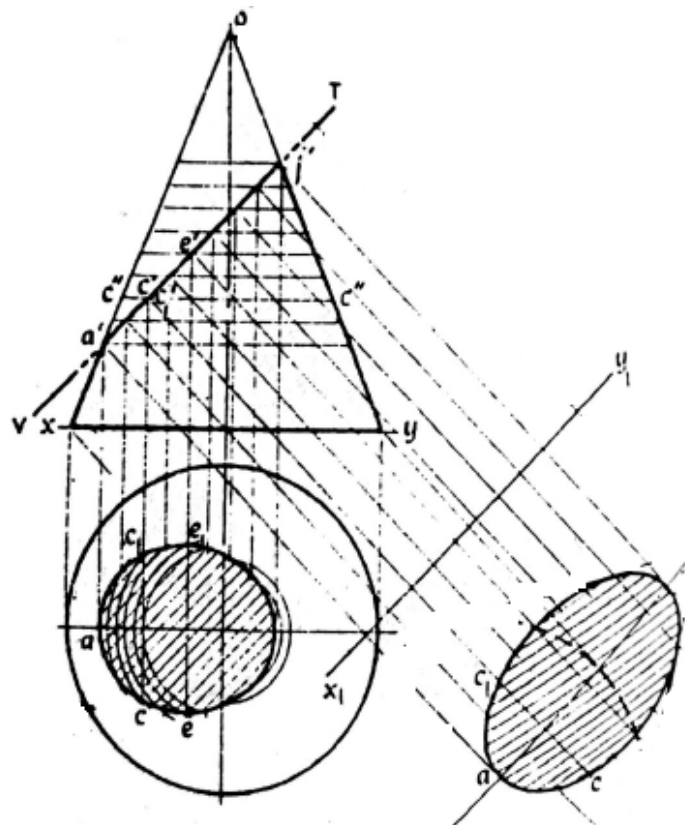


Q.4b)

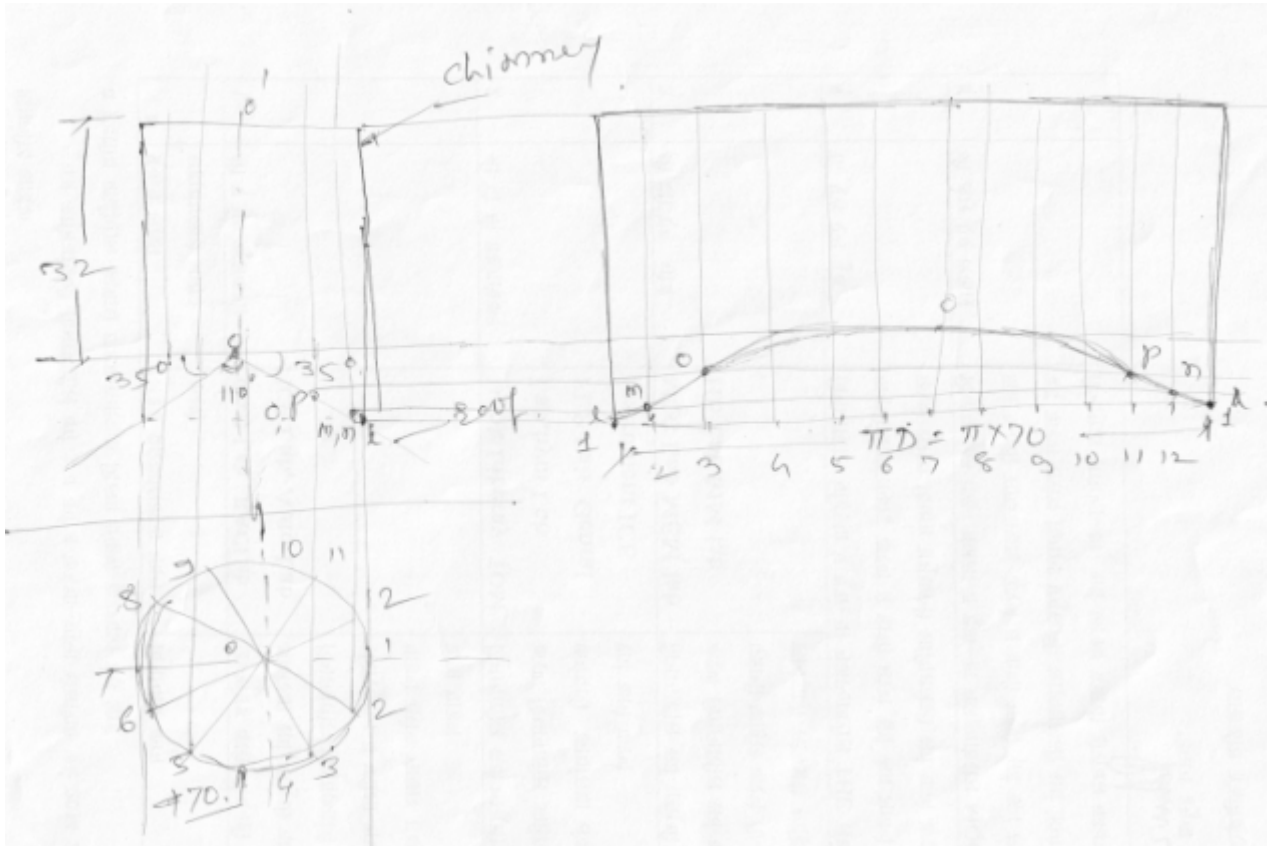
Top view 03 marks, Sectional Front view 05 marks



Q.4c) Front view 02 marks, Sectional Top view 03 marks, , True shape of section 03 marks

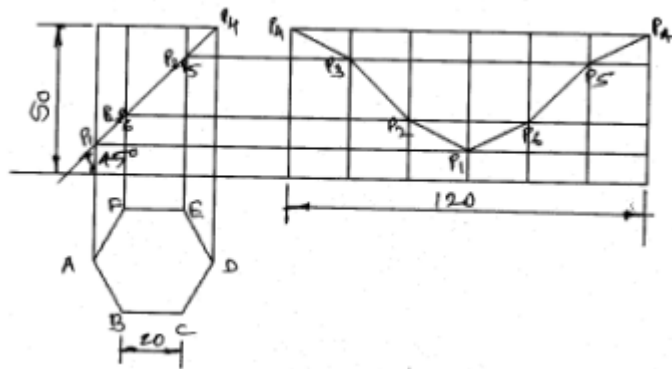


Q.5a) Front view 02 marks, Top view 02 marks, Development of lateral surface 04 marks



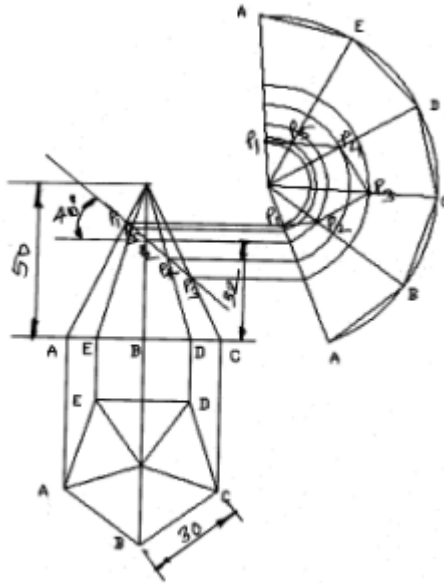
Q.5b)

Front view 02 marks, Top view 02 marks, Development of lateral surface 04 marks

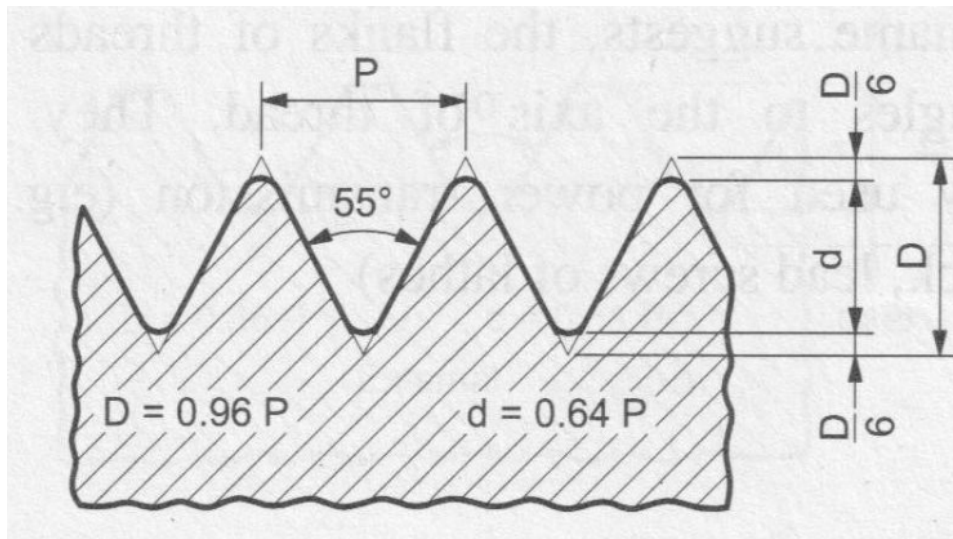




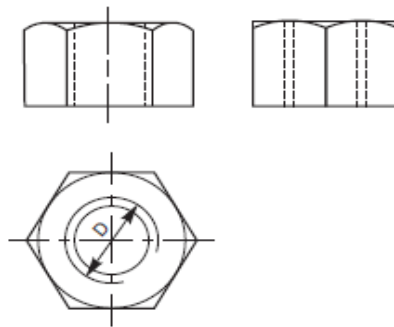
Q.5c) Sectional Top view 02 marks, Front view 02 marks, Development of lateral surface 04 marks



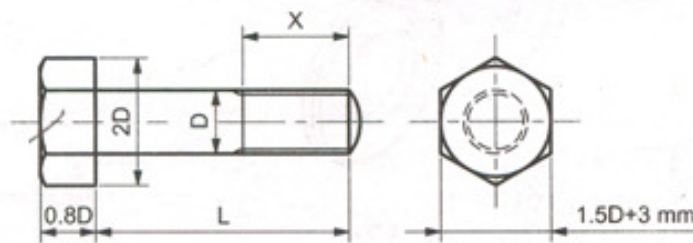
Q.6a) Correct figure 04 marks



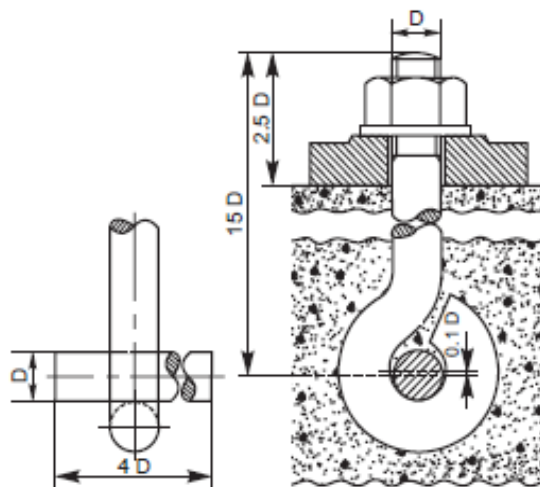
Q.6b) Correct figure 04 marks



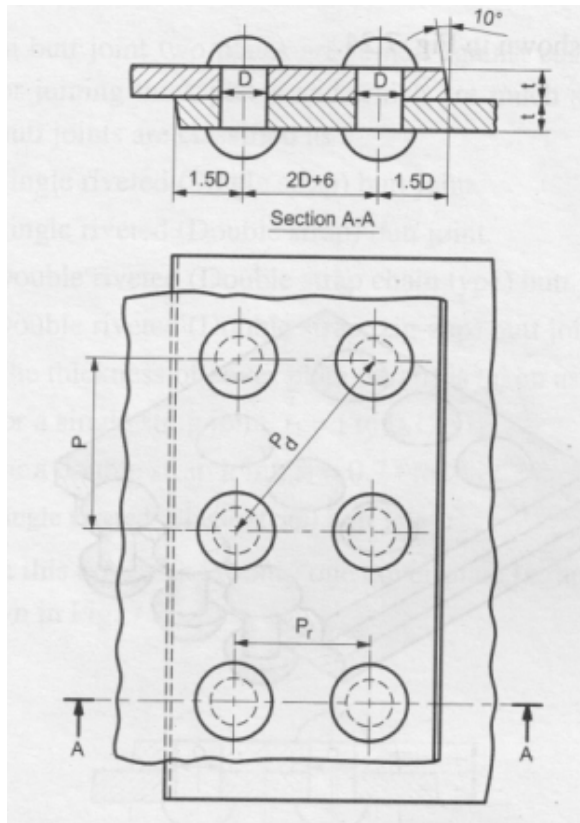
Q.6c) Correct figure 04 marks



Q.6d) Correct figure 04 marks



Q.6e) Correct figure 04 marks



Q.6f) Correct figure 04 marks

