

WINTER – 15 EXAMINATION

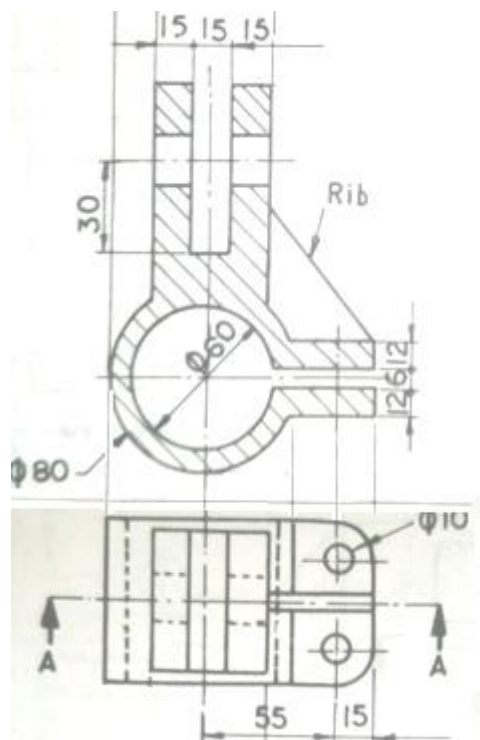
Subject Code:17205

Model Answer

Important Instructions to examiners:

- 1) The answers should be examined by key words and not as word-to-word as given in the model answer scheme.
- 2) The model answer and the answer written by candidate may vary but the examiner may try to assess the understanding level of the candidate.
- 3) The language errors such as grammatical, spelling errors should not be given more Importance (Not applicable for subject English and Communication Skills).
- 4) While assessing figures, examiner may give credit for principal components indicated in the figure. The figures drawn by candidate and model answer may vary. The examiner may give credit for any equivalent figure drawn.
- 5) Credits may be given step wise for numerical problems. In some cases, the assumed constant values may vary and there may be some difference in the candidate's answers and model answer.
- 6) In case of some questions credit may be given by judgement on part of examiner of relevant answer based on candidate's understanding.
- 7) For programming language papers, credit may be given to any other program based on equivalent concept.

Que 1 a) Sectional Front View 05 Marks, Top View 05 Marks

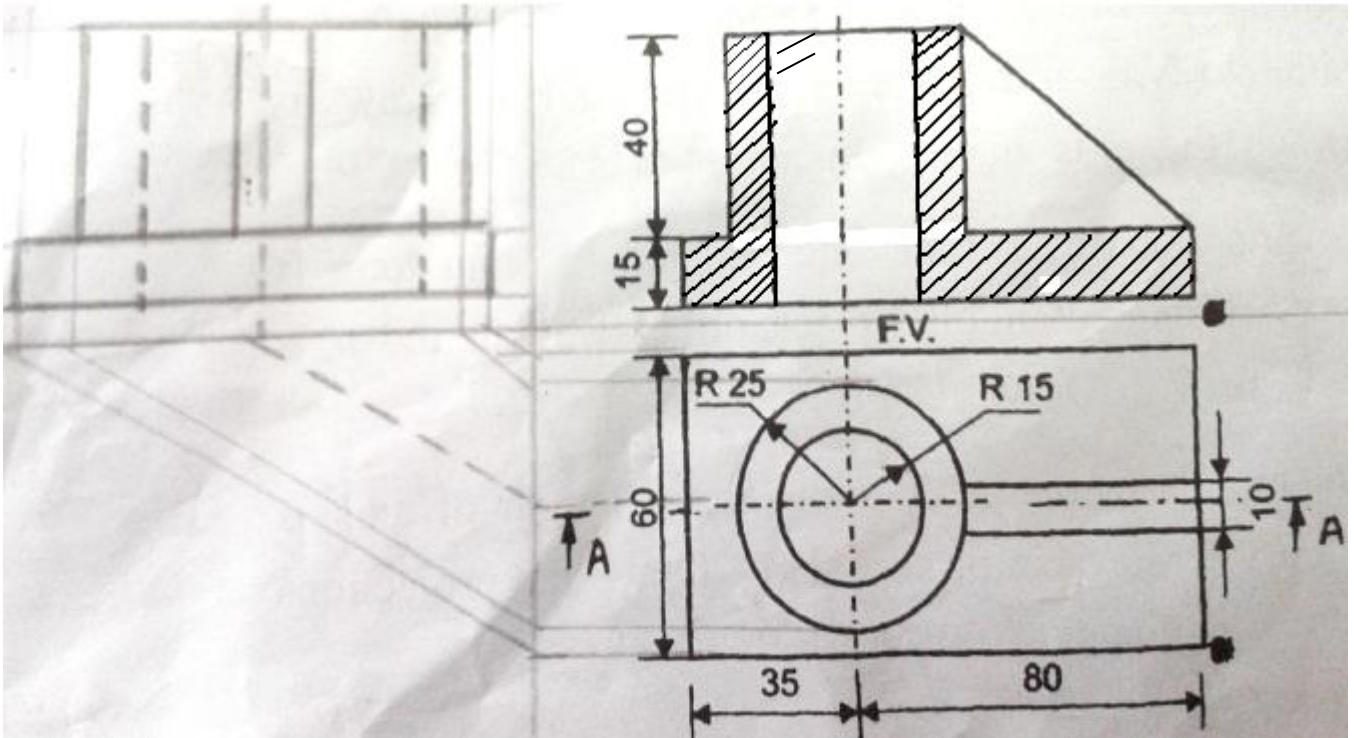


WINTER – 15 EXAMINATION

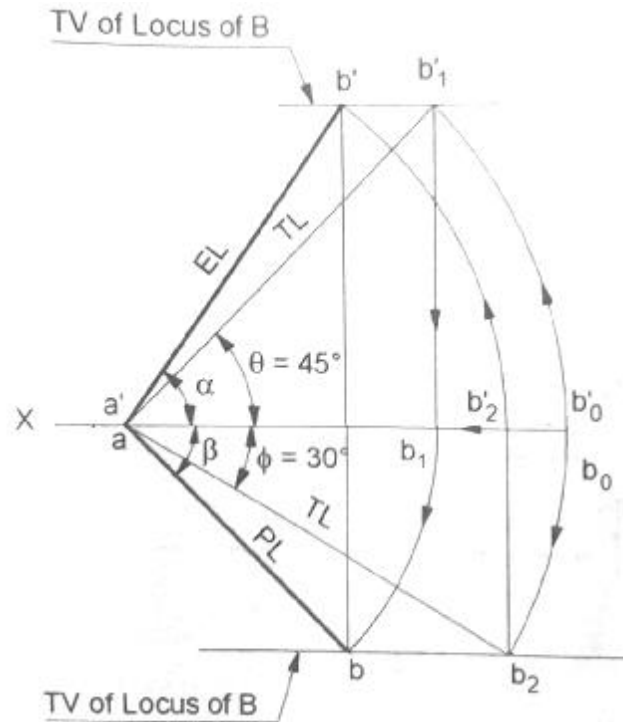
Subject Code:17205

Model Answer

Que 1 b) FV 04 MARKS, TV 02 MARKS, RHSV 04 MARKS.



Que 2 a) Correct Solution 08 marks

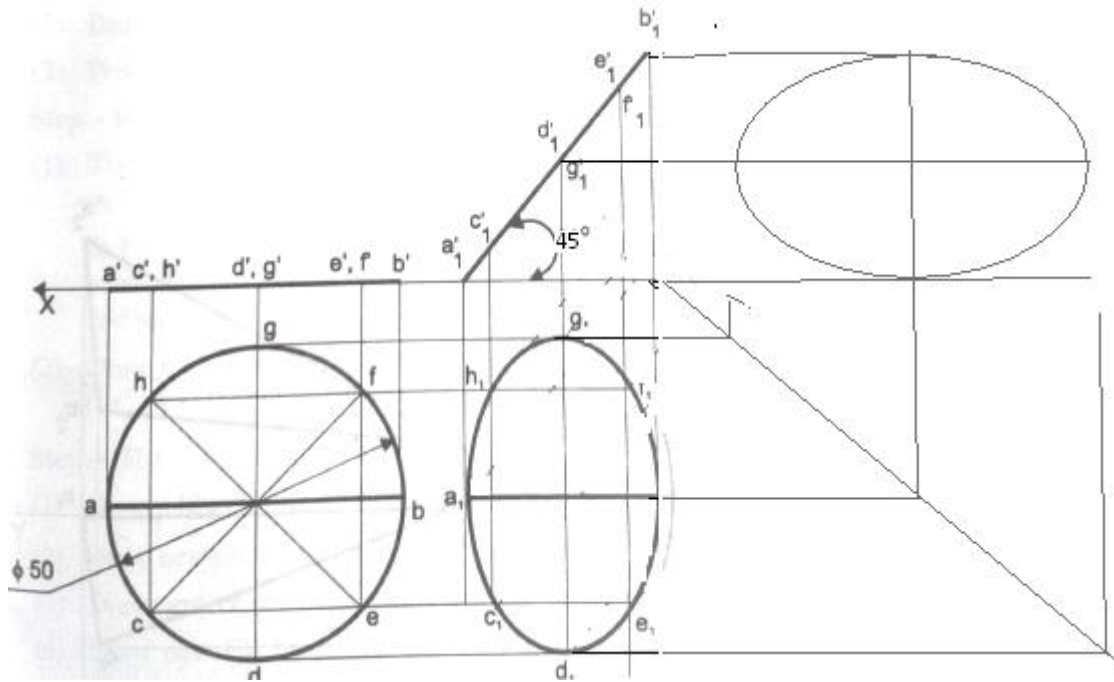


WINTER – 15 EXAMINATION

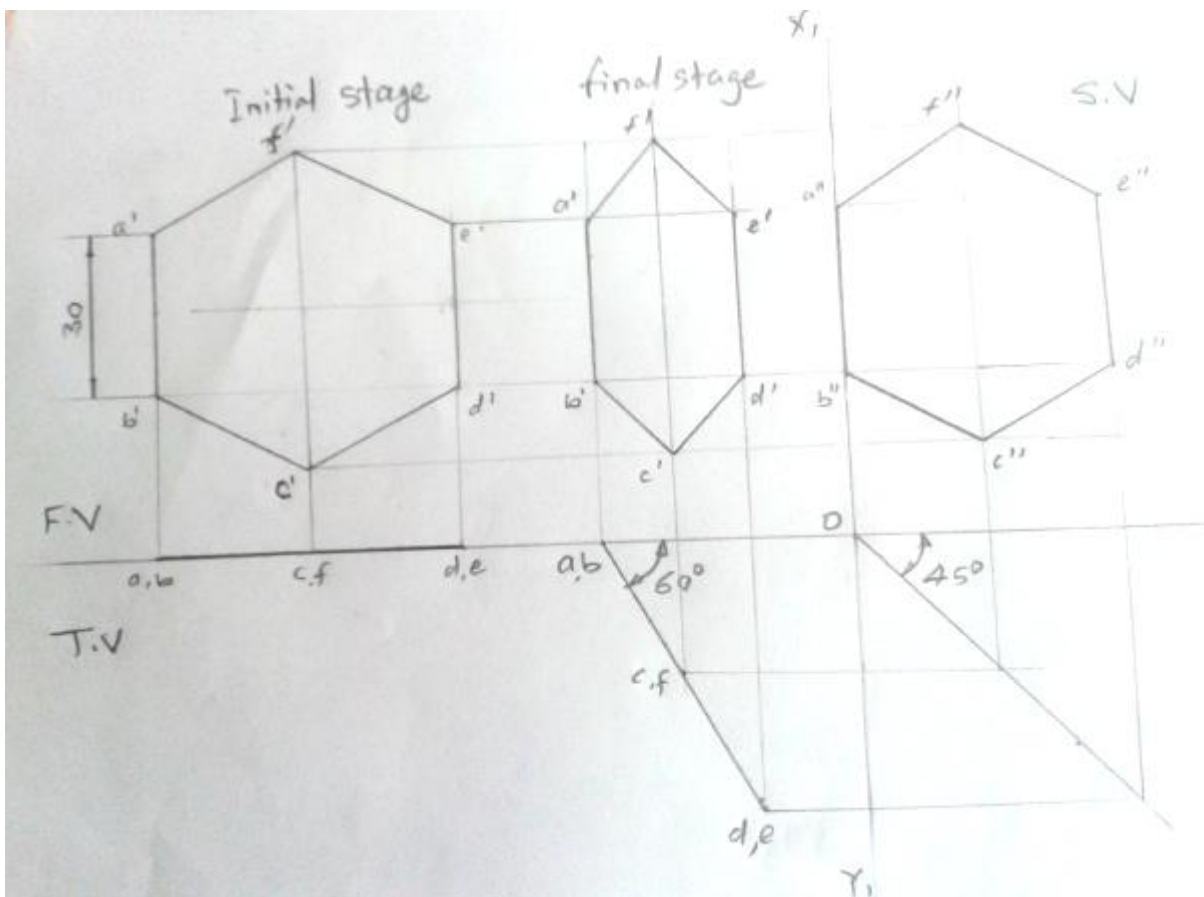
Subject Code:17205

Model Answer

Que 2 b) i) Initial Position 03 Marks, Final Position 05 Marks



Que 2 b) ii) INITIAL POSITION 03 MARKS, FINAL POSITION WITH SV 05 MARKS

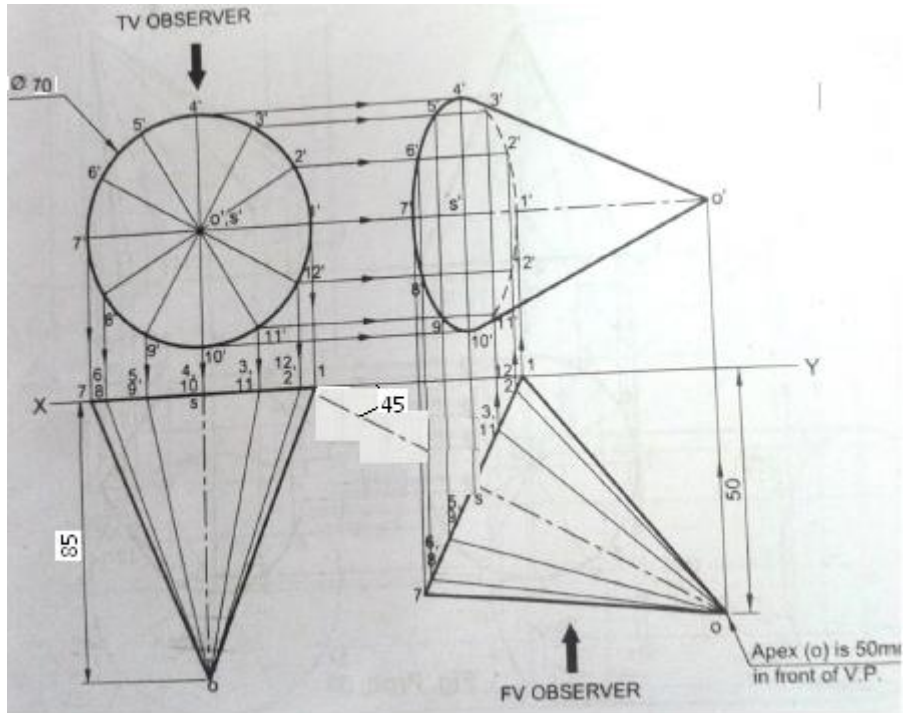


WINTER – 15 EXAMINATION

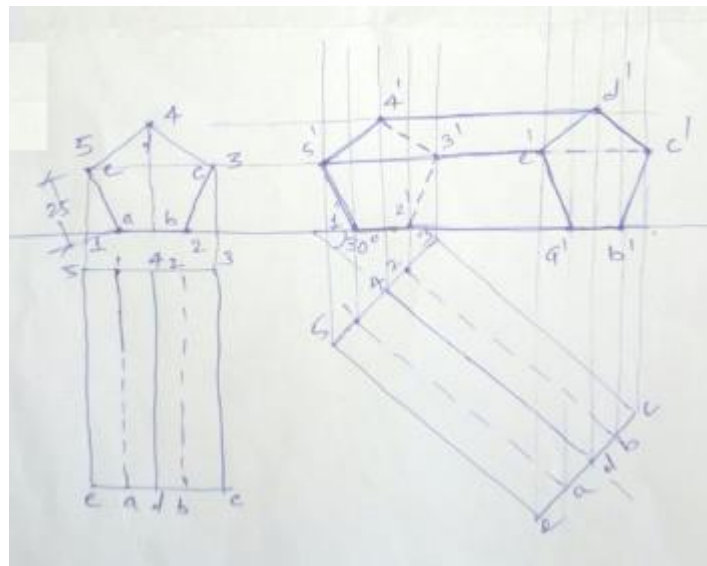
Model Answer

Subject Code:17205

Que 3 a) INITIAL POSITION 03 MARKS, FINAL POSITION 05 MARKS



Que 3 b)) INITIAL POSITION 03 MARKS, FINAL POSITION WITH SV 05 MARKS

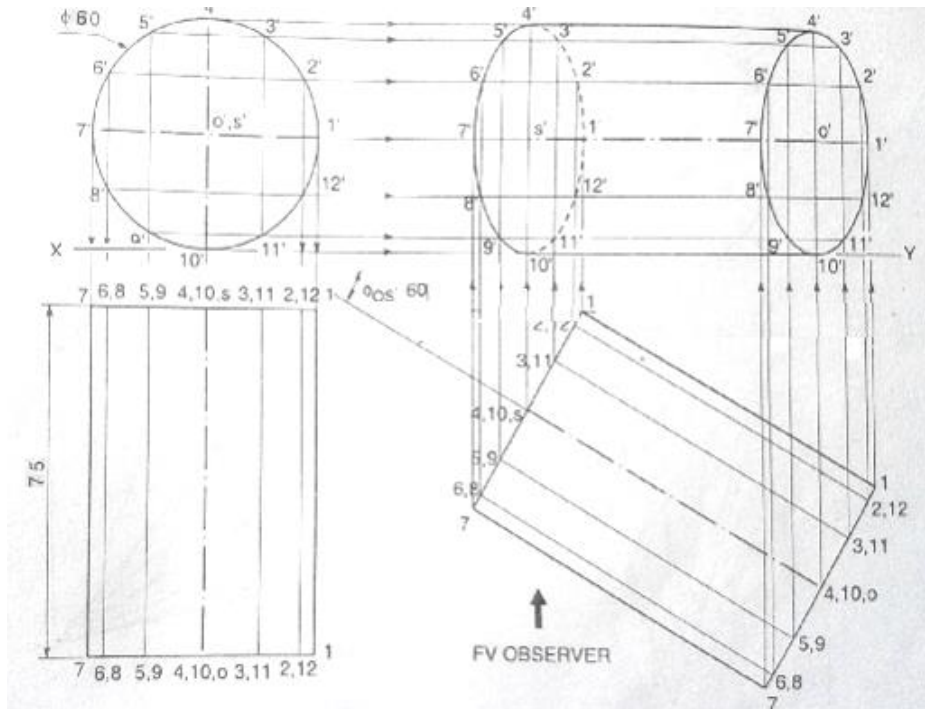


WINTER – 15 EXAMINATION

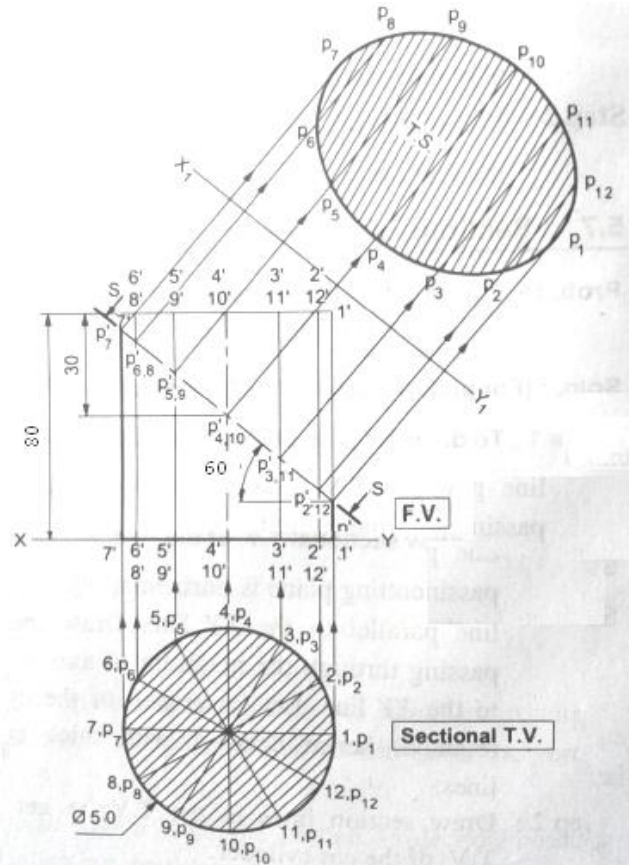
Subject Code:17205

Model Answer

Que 3c) INITIAL POSITION 03 MARKS, FINAL POSITION WITH SV 05 MARKS



Que 4a) FV 02 Marks, Sectional TV 02Marks, True Shape of Section 04 Marks

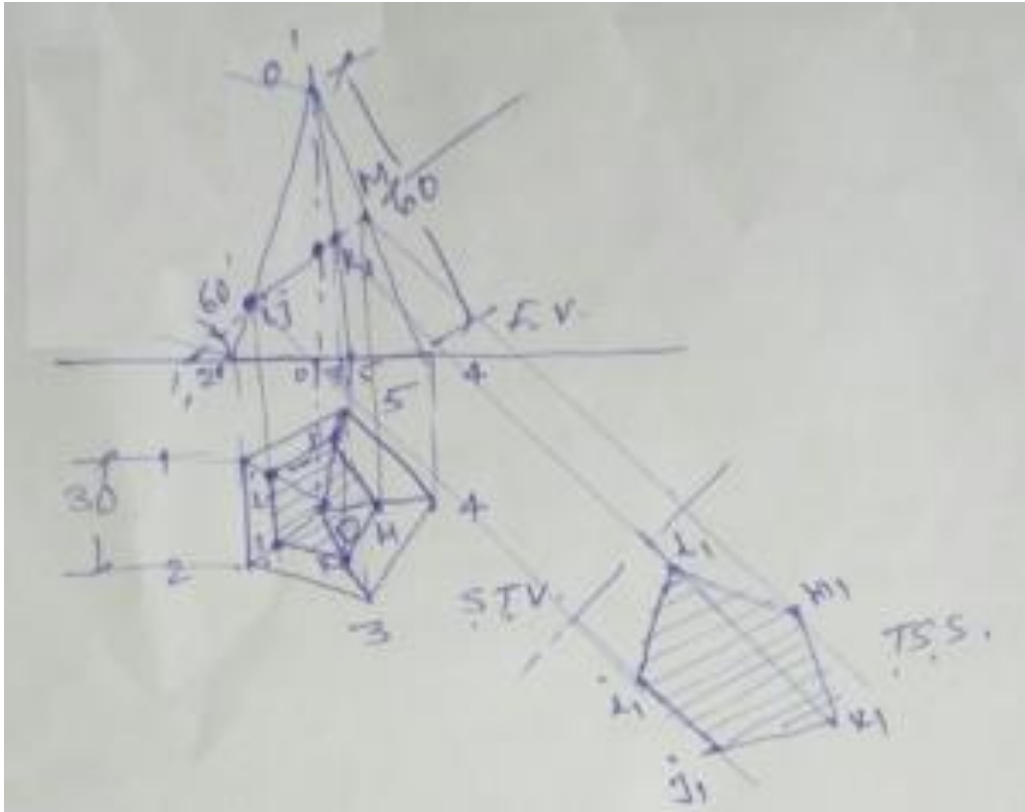


WINTER – 15 EXAMINATION

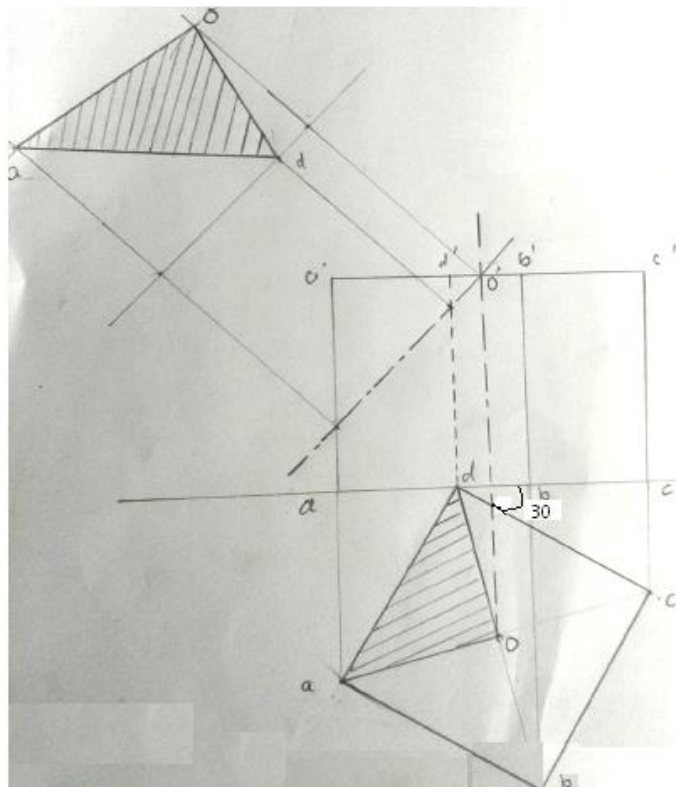
Subject Code:17205

Model Answer

Que 4b) FV 02 Marks, Sectional TV 04 Marks, True Shape of Section 02 Marks



Que 4c) Elevation 02 Marks, Sectional Plan 04 Marks, True Shape of Section 02 Marks



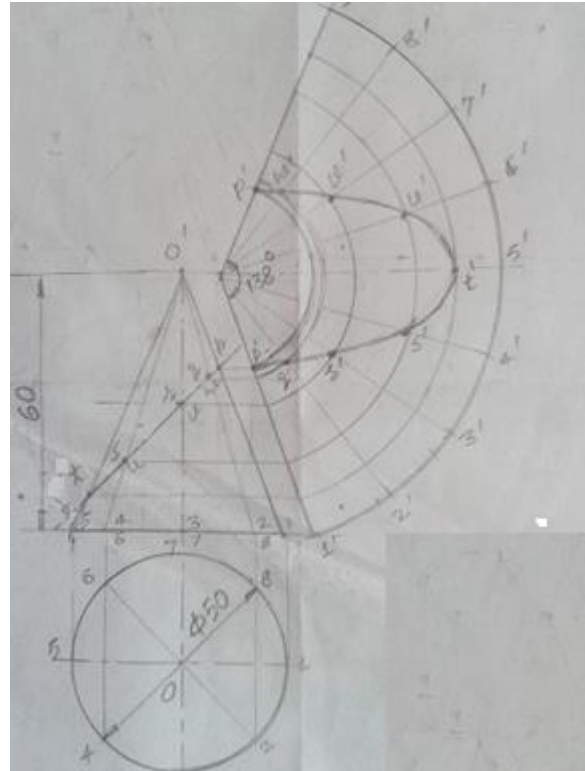
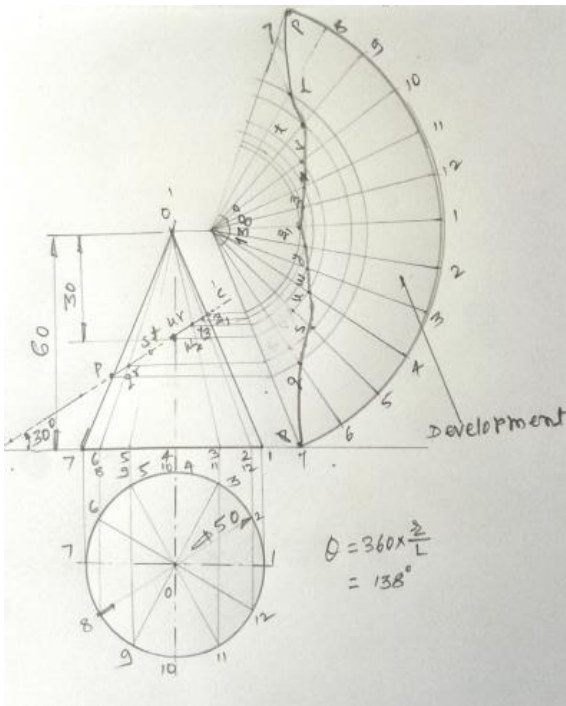
WINTER – 15 EXAMINATION

Subject Code:17205

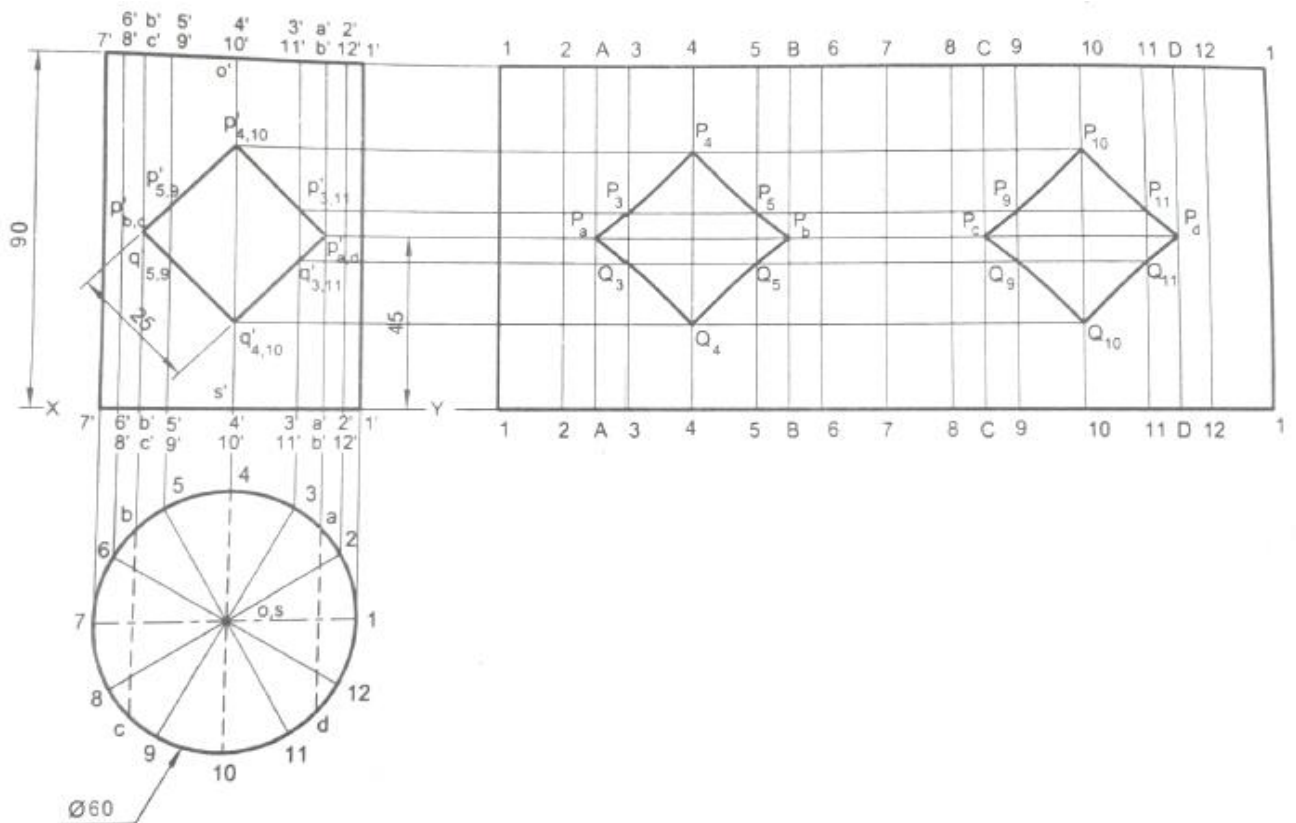
Model Answer

Que 5 a) INITIAL POSITION 04 M, DEVELOPMENT 04 M.

(Alternate solution may be considered) Any one



Que 5 b) INITIAL POSITION 04 M, DEVELOPMENT 04 M.

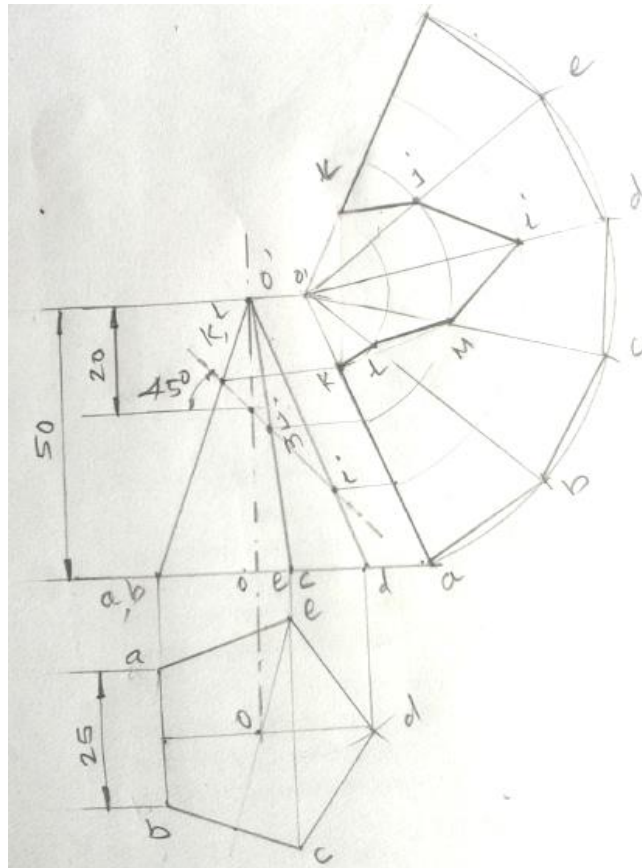


WINTER – 15 EXAMINATION

Subject Code:17205

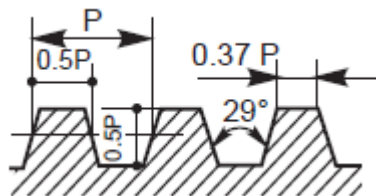
Model Answer

Que 5 c) INITIAL POSITION 04 M, DEVELOPMENT 04 M.



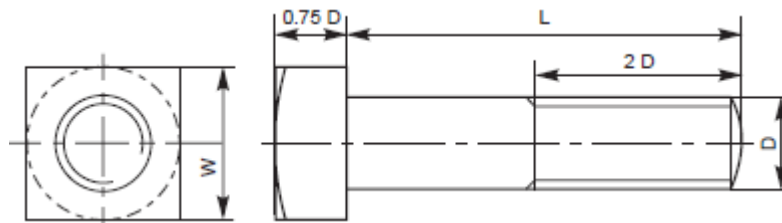
Que 6 a) Acme thread profile

04 marks



Que 6 b) Square headed bolt

04 marks



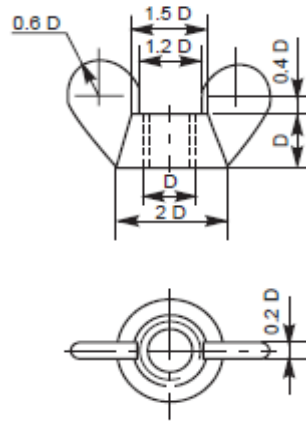
WINTER – 15 EXAMINATION

Subject Code:17205

Model Answer

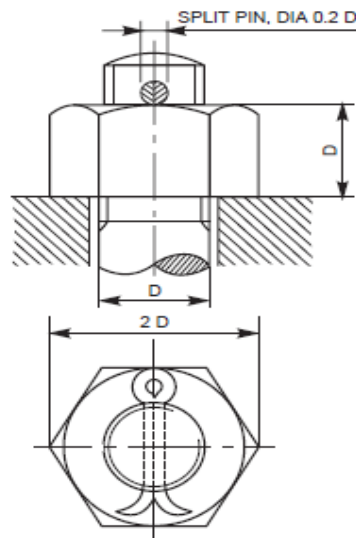
Que 6 c) Wing nut

04 marks



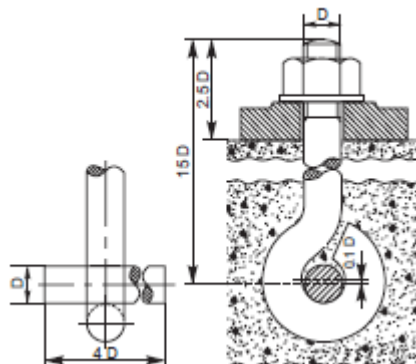
Que 6 d) Locking by split pin

04 marks



Que 6 e) Eye foundation bolt

04 marks



Subject Code:17205

WINTER – 15 EXAMINATION
Model Answer

Que 6 f) Single riveted lap joint

04 marks

