



**MODEL ANSWER**

**SUMMER- 17 EXAMINATION**

**Subject Title: ENGG.DRAWING**

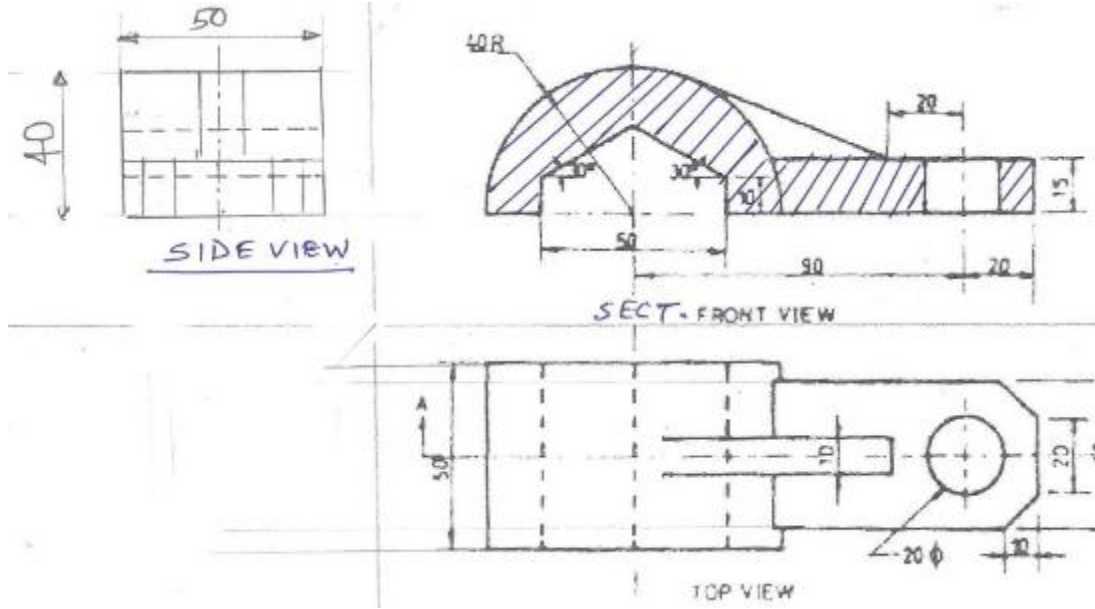
Subject Code: **17205**

**Important Instructions to examiners:**

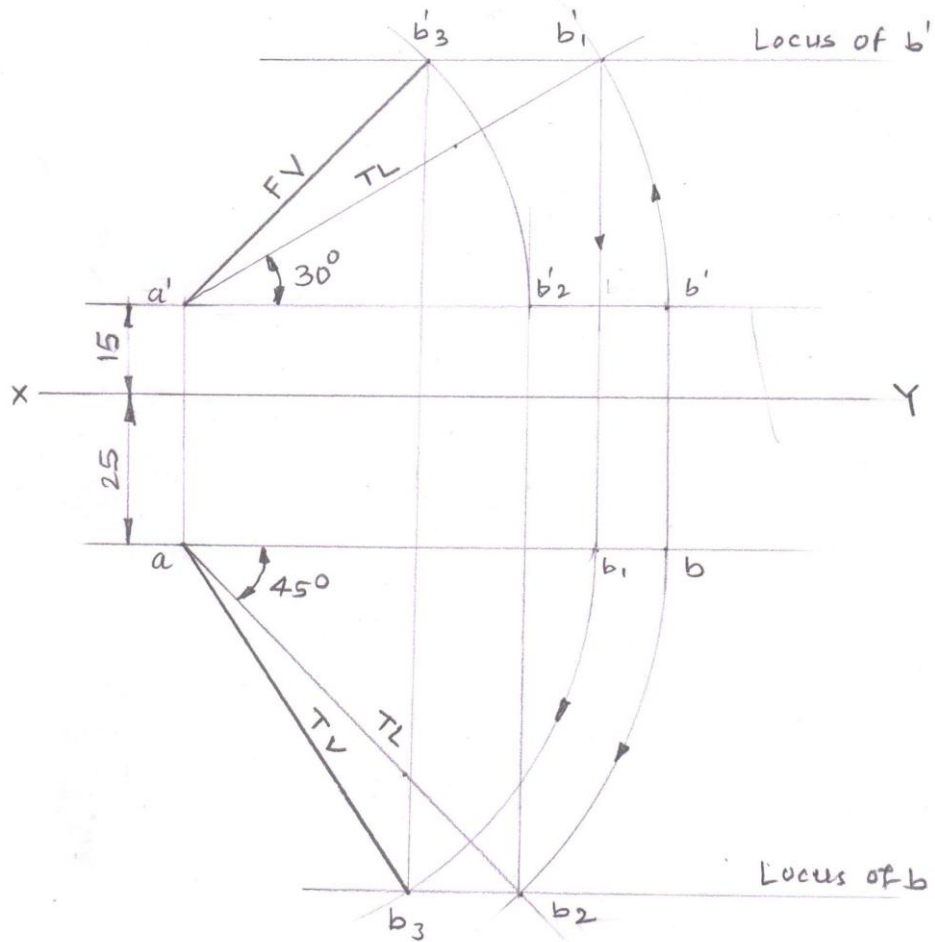
- 1) The answers should be examined by key words and not as word-to-word as given in the model answer scheme.
- 2) The model answer and the answer written by candidate may vary but the examiner may try to assess the understanding level of the candidate.
- 3) The language errors such as grammatical, spelling errors should not be given more Importance (Not applicable for subject English and Communication Skills).
- 4) While assessing figures, examiner may give credit for principal components indicated in the figure. The figures drawn by candidate and model answer may vary. The examiner may give credit for any equivalent figure drawn.
- 5) Credits may be given step wise for numerical problems. In some cases, the assumed constant values may vary and there may be some difference in the candidate's answers and model answer.
- 6) In case of some questions credit may be given by judgement on part of examiner of relevant answer based on candidate's understanding.
- 7) For programming language papers, credit may be given to any other program based on equivalent concept.

Q. No.	Sub Q. N.	Answer	Marking Scheme
1	a	<p>S.F.V 04 MARKS L.H.S.V 04 MARKS T.V 04 MARKS</p> <p><b>Soln :</b></p>	

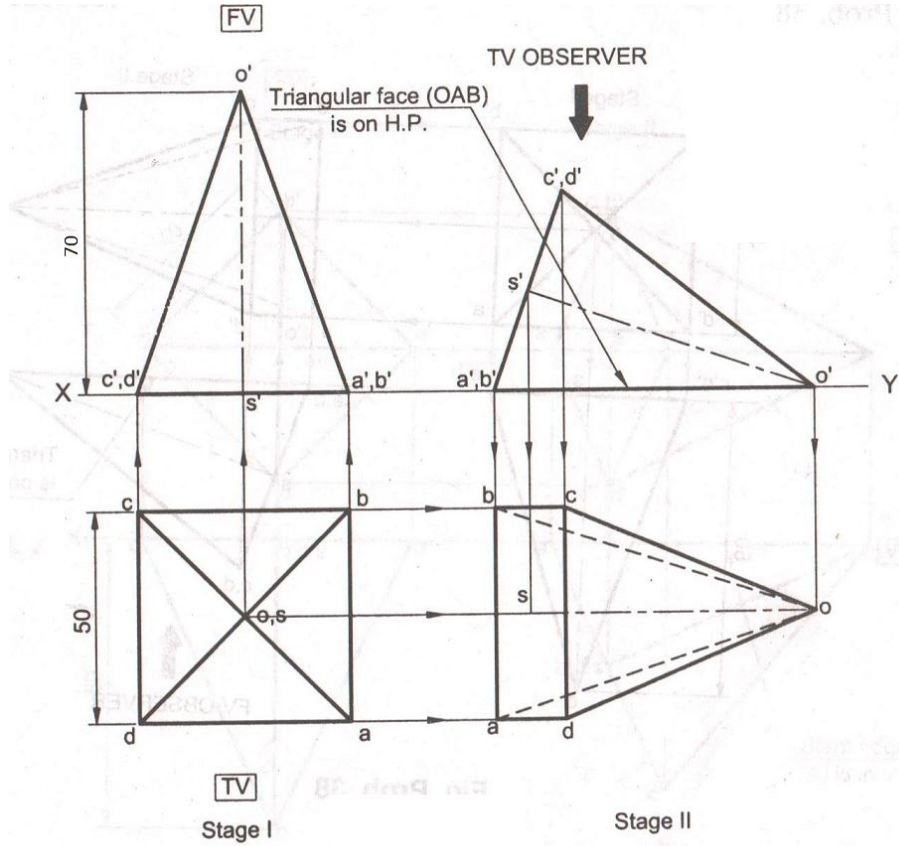
1 b S.F.V 02 MARKS T.V 02 MARKS R.H.S.V 04 MARKS



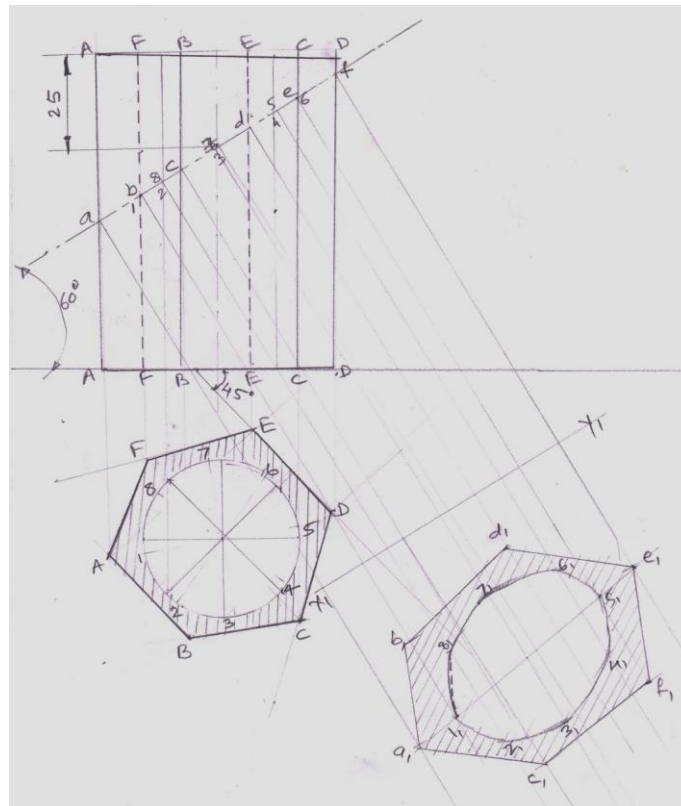
2 a CORRECT SOLUTION 08 MARKS



2 b INITIAL POSITION 02 MARKS FINAL POSITION 06 MARKS

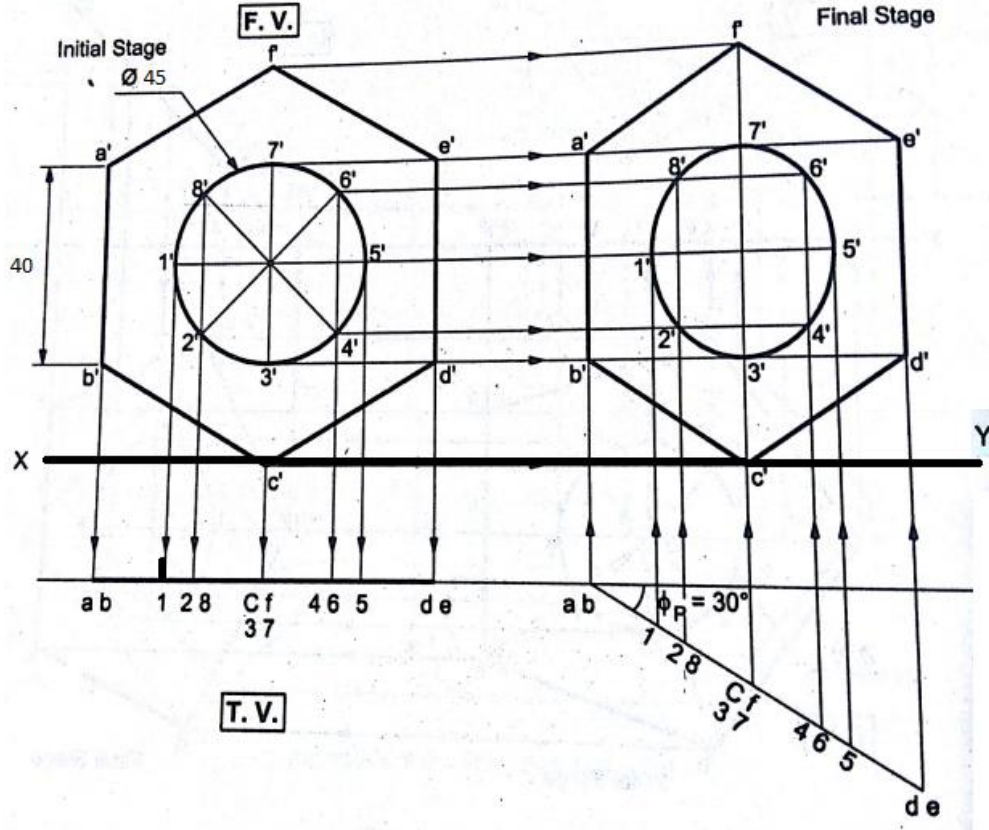


2 c F.V. 02 MARKS S.T.V. 03 MARKS TRUE SHAPE OF SECTION 03 MARKS

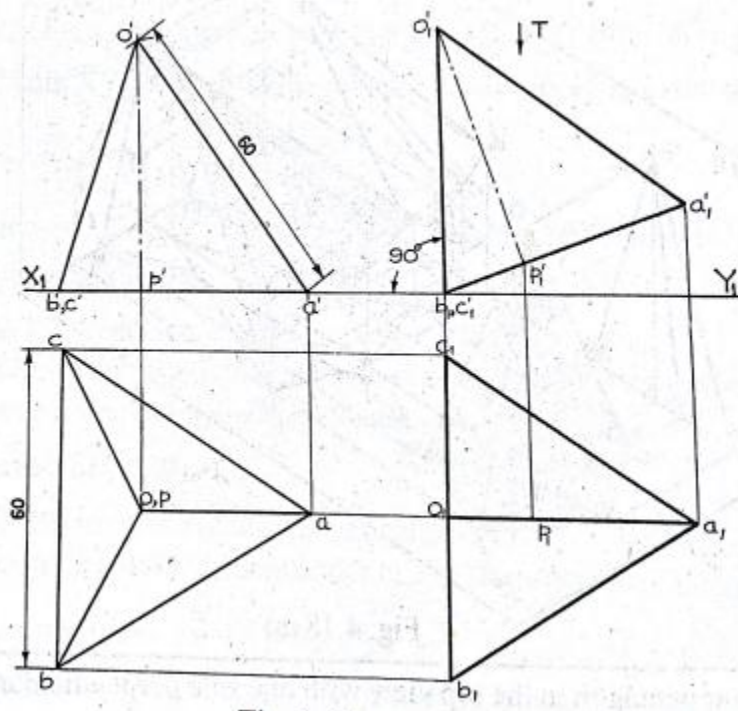




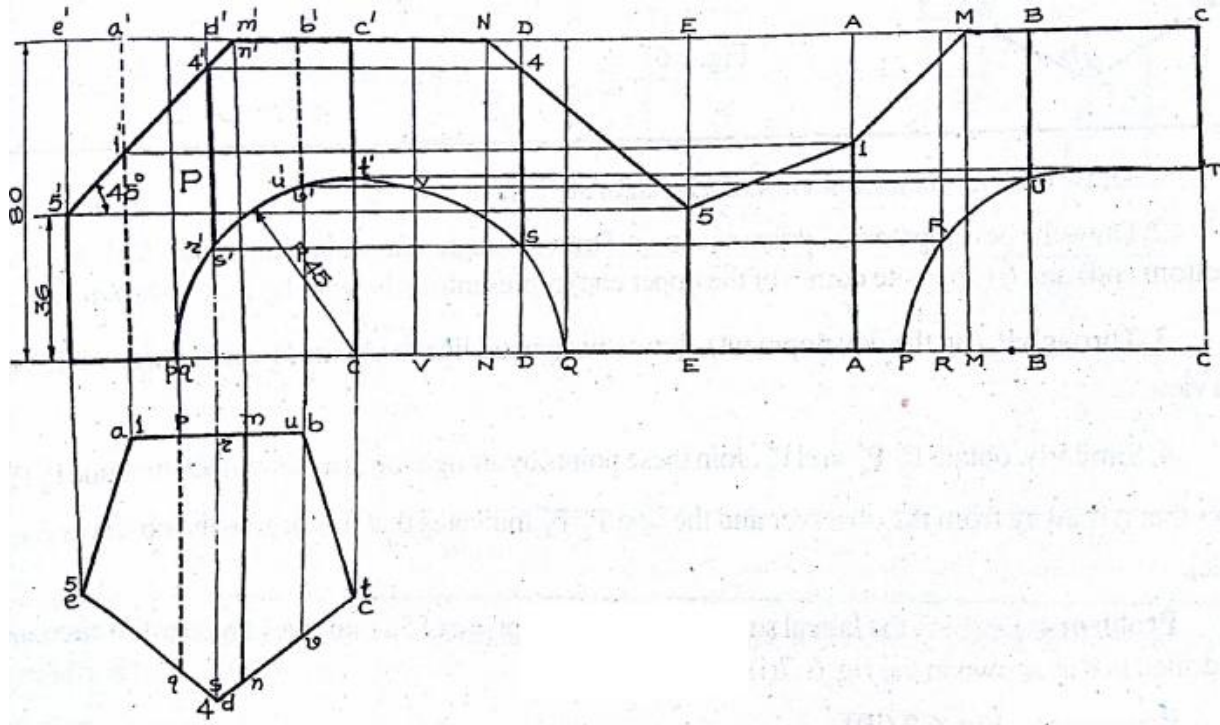
3 a INITIAL POSITION 02 MARKS FINAL POSITION 06 MARKS



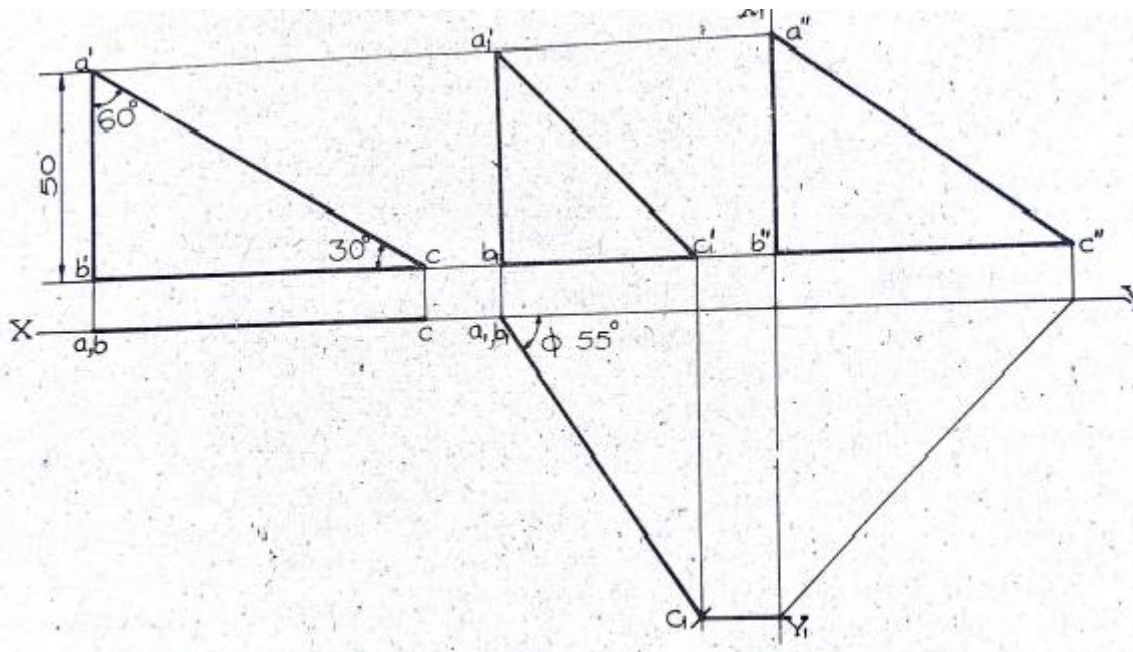
3 b INITIAL POSITION 04 MARKS FINAL POSITION 04 MARKS



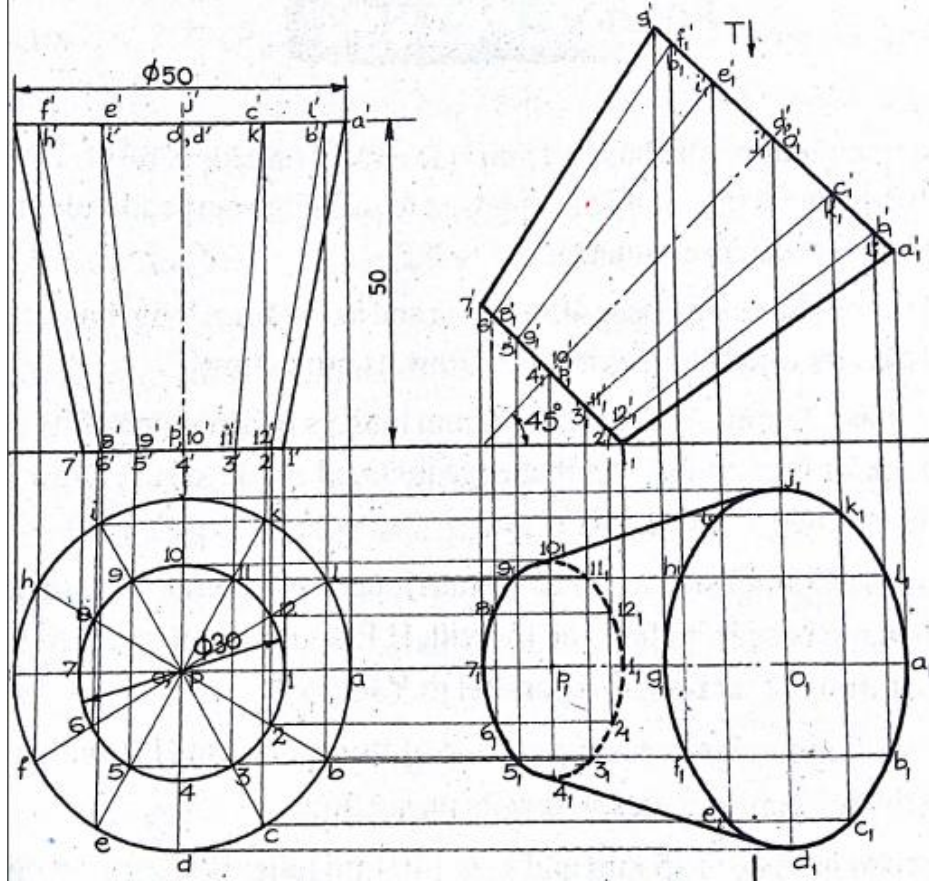
3 c INITIAL POSITION 02 MARKS DEVELOPMENT 06 MARKS



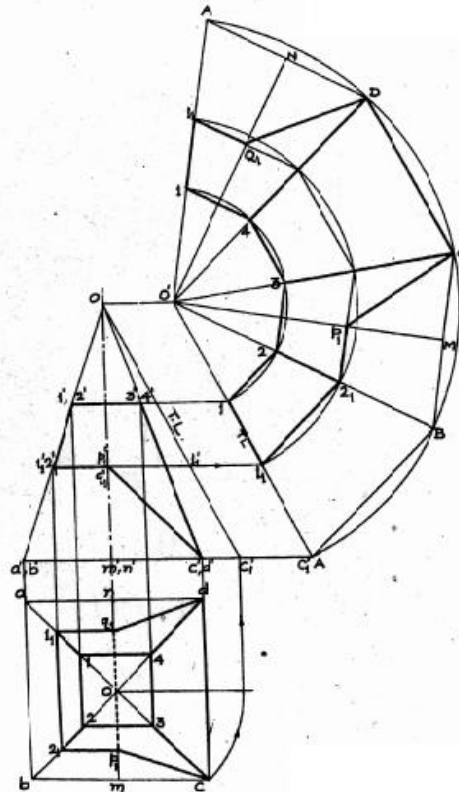
4. a INITIAL POSITION 02 MARKS FINAL POSITION 04 MARKS DETERMINATION OF ICLINATION 02 MARKS



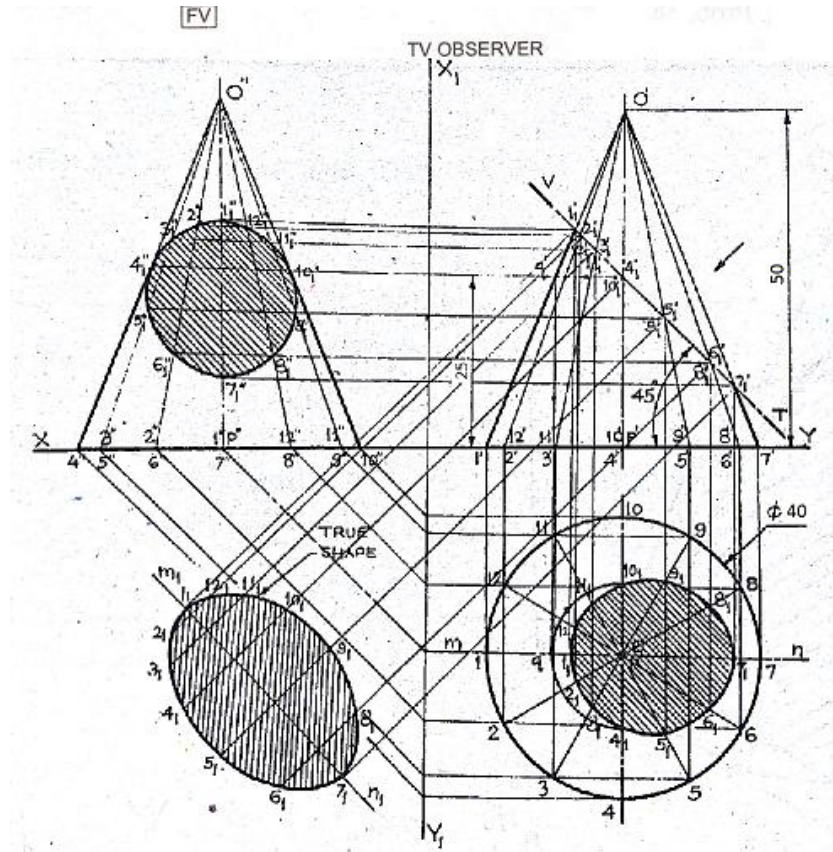
4 b INITIAL POSITION 04 MARKS FINAL POSITION 04 MARKS



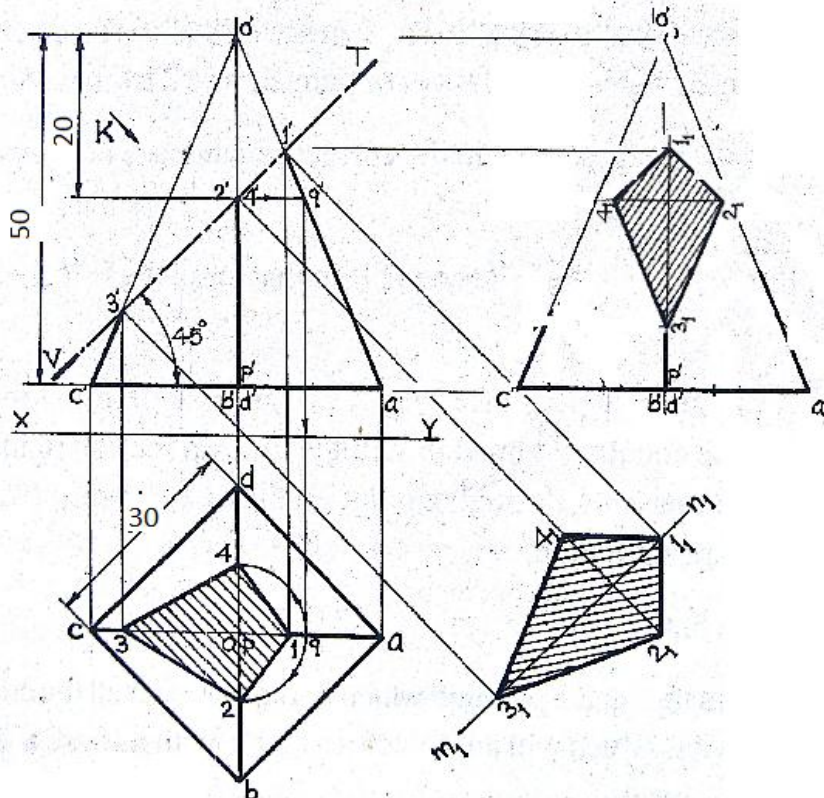
4 c INITIAL POSITION 04 MARKS DEVELOPEMENT 04 MARKS



5 a S.T.V. 02 MARKS F.V. 02 MARKS S.S.V. 02 MARKS TRUE SHAPE 02 MARKS

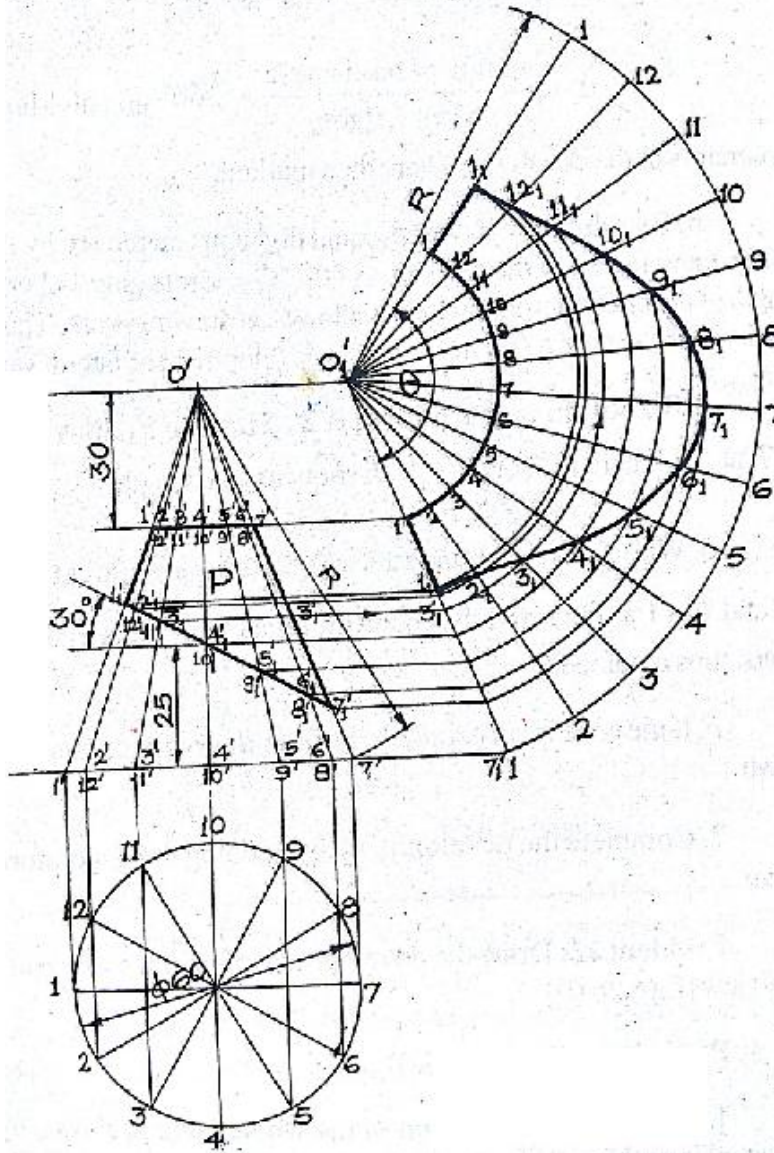


5 b S.T.V. 02 MARKS F.V. 02 MARKS S.S.V. 02 MARKS TRUE SHAPE 02 MARKS



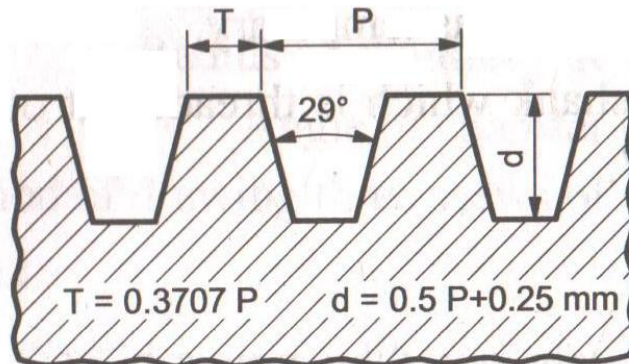


5 c INITIAL POSITION 04 MARKS DEVELOPMENT 04 MARKS



6 a ACME THREAD

04 MARKS



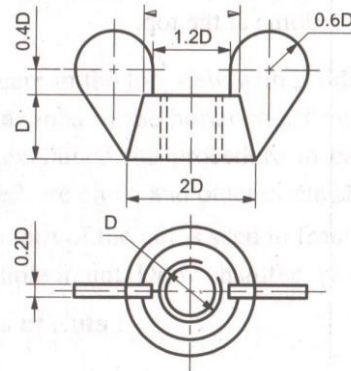


6

b

WING NUT

04 MARKS

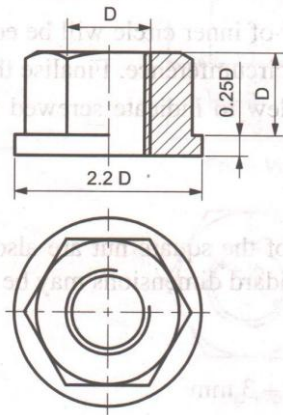


6

c

FLANGED NUT

04 MARKS

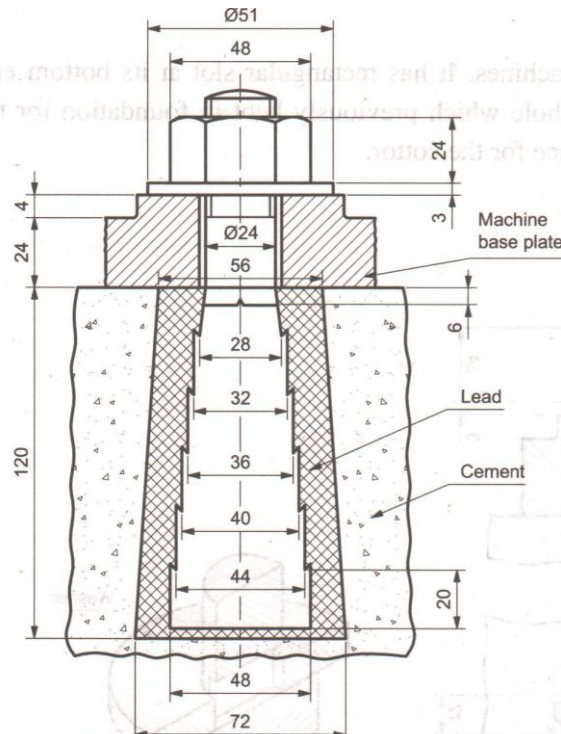


6

d

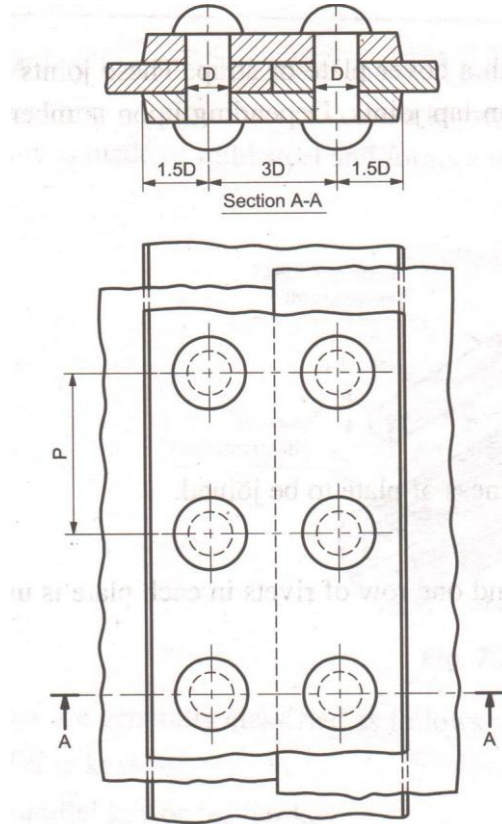
RAG FOUNDATION BOLT

04 MARKS



6 e SINGLE RIVETTED DOUBLE STRAP BUTT JOINT

04 MARKS



6 f FLAT HEAD SET SCREW

04 MARKS

